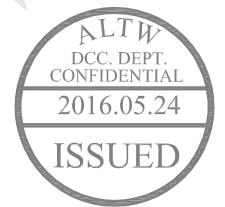
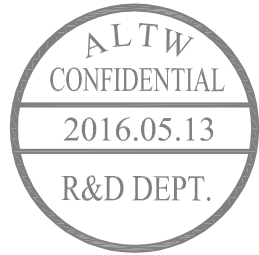
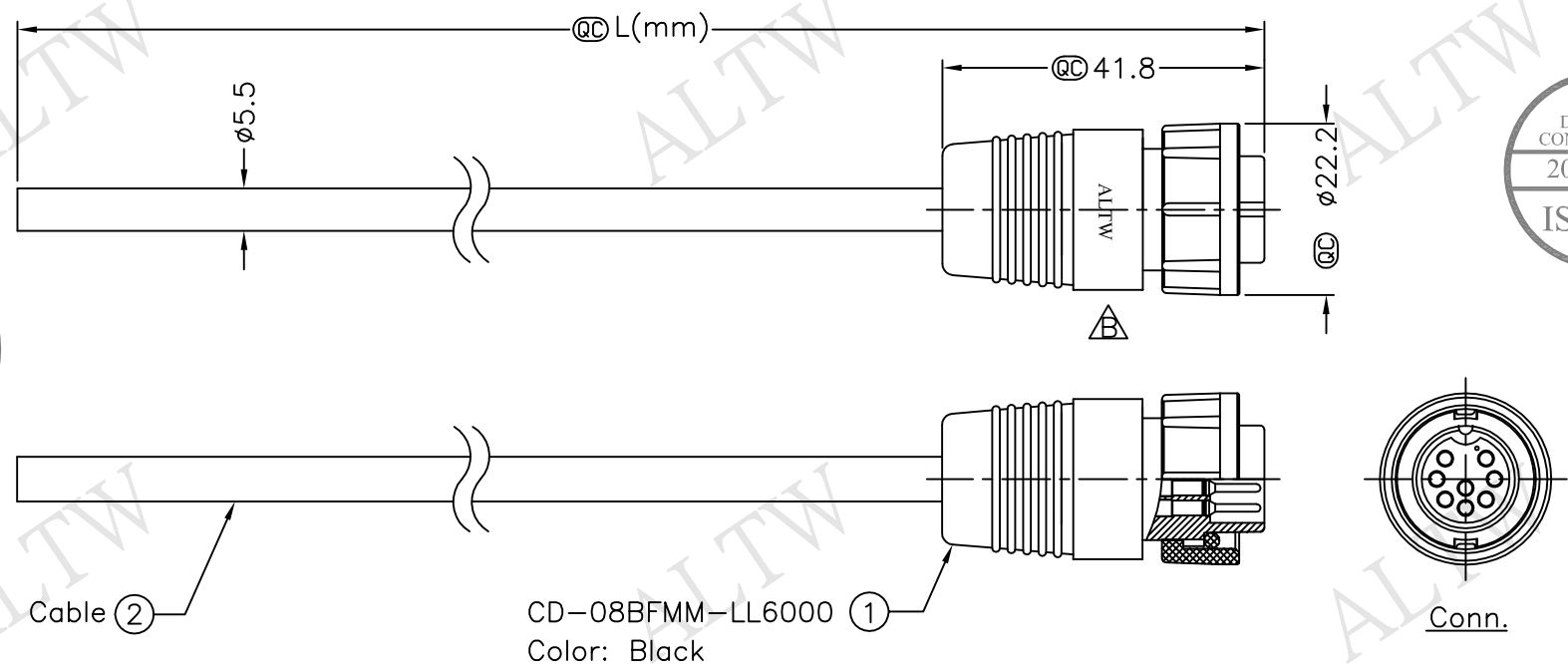


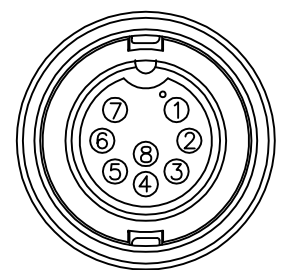
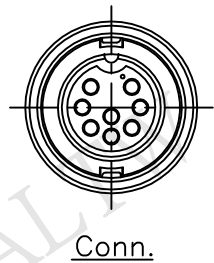
5	6	7	8
REV. B	ECN NO. LEN1650581~584	DATE 2016/05/13	SIGN Ruru
			DESCRIPTION Change Logo & Note

THIS DOCUMENT IS SUBJECT TO CHANGE WITHOUT NOTICE. IT IS CONFIDENTIAL AND A PROPERTY OF Amphenol LTW. DISCLOSURE TO THIRD PARTY HAS TO BE AUTHORIZED BY Amphenol LTW.



Cable (2)

CD-08BFMM-LL6000 (1)
Color: Black



Pin Assignments
Front View

8	Green
7	Yellow
6	Orange
5	Red
4	Blue
3	White
2	Brown
1	Black
Conn.	Wire Color
	Pin Out

CD-08BFMM-LL6AXX

↑
XX: 01~99Meter
01: 01Meter
02: 02Meters
:
:
99: 99Meters

Cable Length(L): 01~99Meters

Note:

- * @C Important Dimension To Check.
- * Waterproof Rate: IP66
- * Housing: Nylon+GF,Black
- * Male Pin: Copper Alloy,Gold Plated
- * Cable: UL2464 24#*8C+Drain+Al/My (UV Resistant) OD=5.5mm
- * Cable Length Tolerance: 01M: ±40mm
02M~05M: ±60mm
06M~10M: ±100mm
11M~30M: ±200mm
31M~99M: ±500mm

UNIT:mm	
TOLERANCE	±0.5 mm

TITLE Middle, Cable Lock 8Pin F Conn M Pin	
SCALE Free	SHEET 1 OF 1
REV. B	SIZE A4 @C :Inspection Item

Amphenol LTW
安費諾亮泰企業股份有限公司

ITEM NO	DWG NO CD-08BFMM-LL6AXX
CUSTOMER ALTW	

DRAWN BY Ruru	DATE 2016/05/13
CHECKED BY Rita	DATE 2016/05/13
APPROVED BY Lisa	DATE 2016/05/13