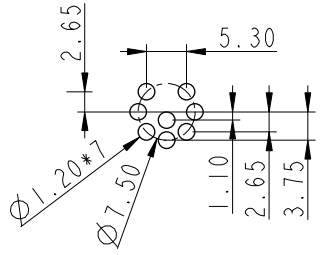


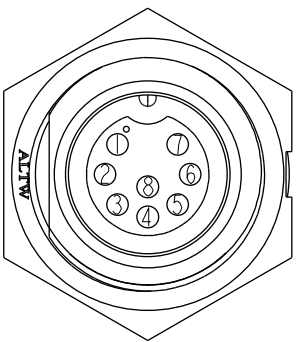
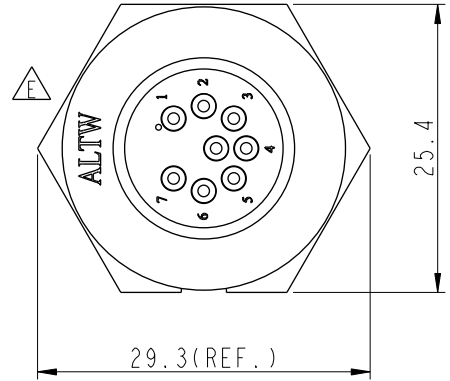
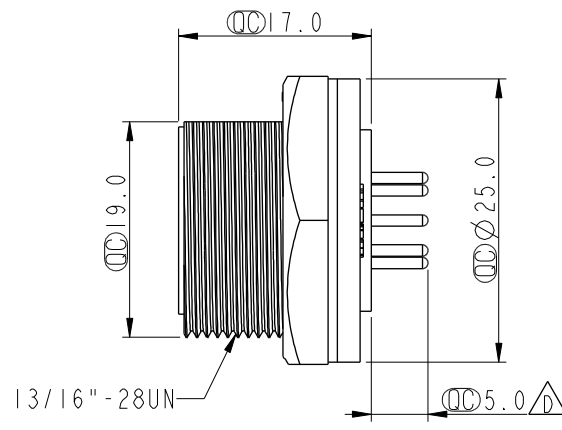
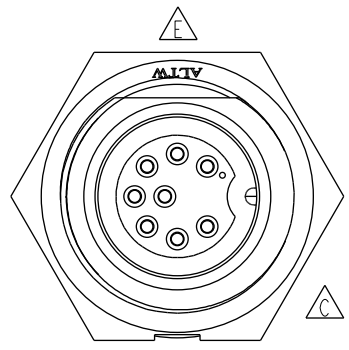
THIS DOCUMENT IS SUBJECT TO CHANGE WITHOUT NOTICE. IT IS CONFIDENTIAL AND A PROPERTY OF AMPHENOL LTW. DISCLOSURE TO THIRD PARTY HAS TO BE AUTHORIZED BY AMPHENOL LTW.

REV.	ECN NO.	DATE	SIGN	DESCRIPTION
D	LEN-910258	2008/01/15	TOMMY	CHANGE PIN DIMENSION
E	LEN1630460	2016/03/14	Ruru	Change Logo
F	CI90271	2019/02/27	Ruru	Modify Note

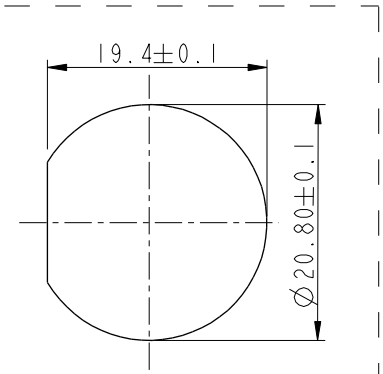
ALTW
 CONFIDENTIAL
 2019-02-27
 R&D DEPT.



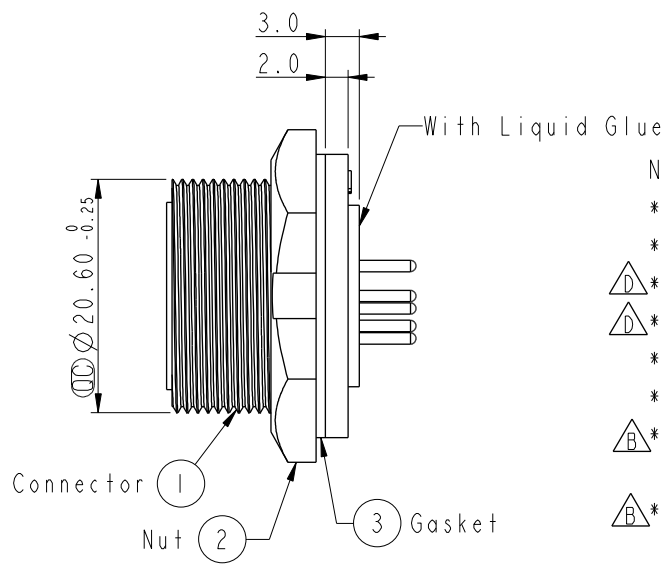
8Pin Male Connector
Female Pin PCB Layout



Pin Assignments
Front View



Recommended Panel Cut-Out



- Note: $\triangle F$
- * CC Important Dimension To Check.
 - * Waterproof Rate: IP67, Unmated
 - $\triangle D$ * Housing: Thermoplastic, Black
 - $\triangle D$ * Pin: Copper Alloy, Gold Plated
 - * Nut: Thermoplastic, Black
 - * Gasket: Rubber, Black
 - $\triangle B$ * Use with waterproof cap or dust cap
Maximum Panel Thickness: 2.0mm
 - $\triangle B$ * Use without waterproof cap or dust cap
Maximum Panel Thickness: 3.0mm
 - * Gasket and Nut are packed separately in PE bags.

UNIT:mm		
TOLERANCE	.X ±0.25	
	.XX ±0.1	
	.XXX ±0.05	
ANGLES	±1°	

TITLE Middle Panel Screw 8Pin M Conn F Pin			
SCALE 1:1	SIZE A4	SHEET 1 OF 1	
REV. F	WC-REV. A.3	CC : Inspection item	

Amphenol LTW
 安費諾亮泰企業股份有限公司

ITEM NO CD-08PMFP-SC7001	DRAWN BY Ruru	DATE 2019-02-27
DWG NO CD-08PMFP-SC7001	CHECKED BY Rita	DATE 2019-02-27
CUSTOMER ALTW	APPROVED BY Max	DATE 2019-02-27