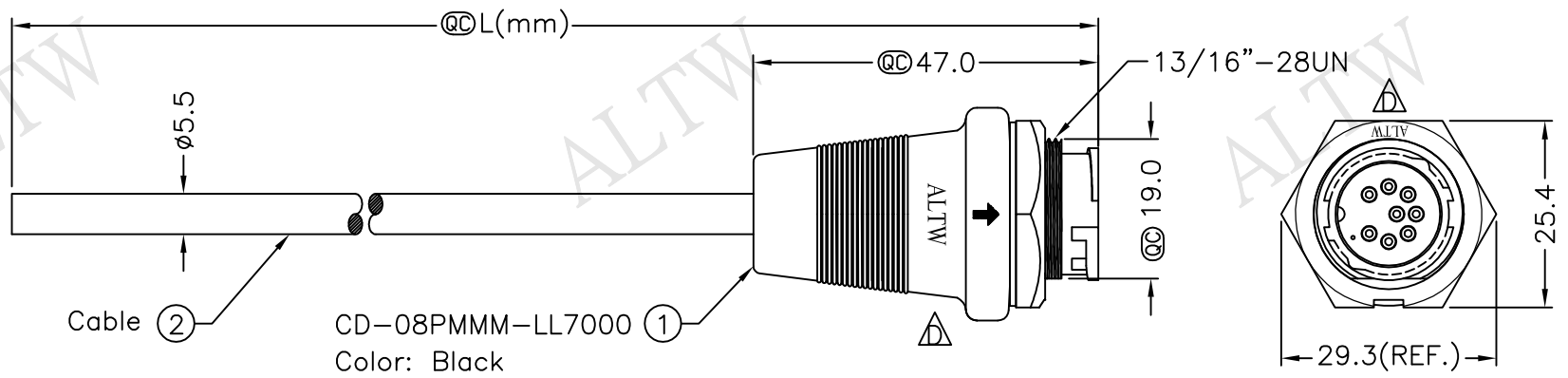
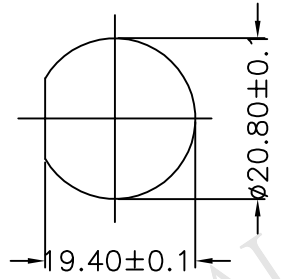


5	6	7	8
REV. B	ECN NO.	DATE 03/02/2007	SIGN Ivan
C	LEN-8B0061~64	2008/09/25	Shin
D	LEN1630609~12	2016/03/21	Ruru
		DESCRIPTION	Revise Color Designation For Pin Out
			Add Note
			Change Logo & Note



Cable ② CD-08PMMM-LL7000 ①
Color: Black



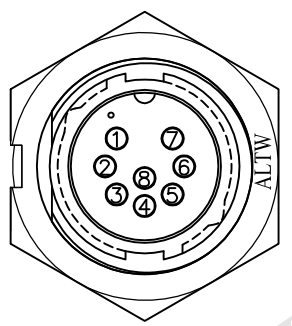
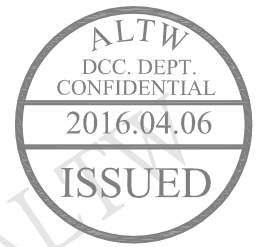
Recommended Panel Cut-Out



CD-08PMMM-LL7AXX

XX:01~99Meter
01:01Meter
02:02Meters
:
:
:
99:99Meters

Cable Length(L):01~99Meters



Pin Assignments Front View

8	Green	綠	△
7	Yellow	黃	△
6	Orange	橘	△
5	Red	紅	△
4	Blue	藍	△
3	White	白	△
2	Brown	棕	△
1	Black	黑	△
Conn.	Wire Color		
	Pin Out		

- Note:
- * @C Important Dimensions To Check.
 - * Waterproof Rate: IP67
 - * Housing: Nylon+GF,Black
 - * Male Pin: Copper Alloy,Gold Plated
 - * Cable: UL2464 24AWG*8C+D+AL/My Black,PVC Jacket UV Resistant, OD=5.5
 - △* Use with waterproof cap or dust cap
Panel Thickness Max: 2.0mm
 - △* Use without waterproof cap or dust cap
Panel Thickness Max: 3.0mm
 - △* Cable Length Tolerance: 01M: ±40mm
02M~05M: ±60mm
06M~10M: ±100mm
11M~30M: ±200mm
31M~99M: ±500mm

UNIT:mm	
TOLERANCE	±0.5 mm

TITLE		Middle, Cable Lock 8Pin M Conn M Pin	
SCALE	Free	SHEET	1 OF 1
REV. D	SIZE A4	@C :Inspection Item	

Amphenol LTW
安費諾亮泰企業股份有限公司

ITEM NO	
DWG NO	CD-08PMMM-LL7AXX
CUSTOMER	ALTW

DRAWN BY	Ruru	DATE	2016/03/21
CHECKED BY	Rita	DATE	2016/03/21
APPROVED BY	Lisa	DATE	2016/03/21

THIS DOCUMENT IS SUBJECT TO CHANGE WITHOUT NOTICE. IT IS CONFIDENTIAL AND A PROPERTY OF AMPHENOL LTW. DISCLOSURE TO THIRD PARTY HAS TO BE AUTHORIZED BY AMPHENOL LTW.

A B C D E F

1 2 3 4 5 6 7 8