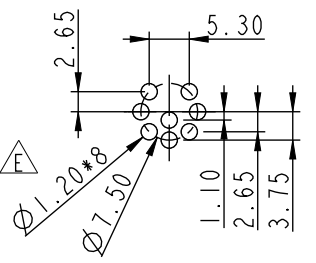
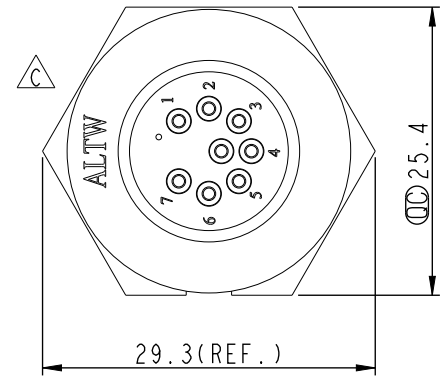
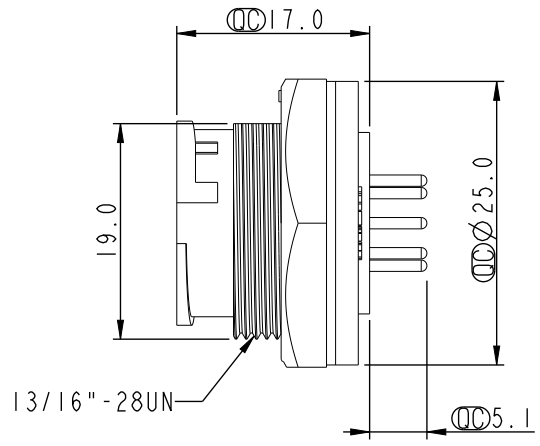
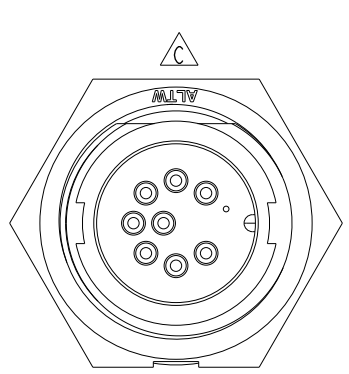
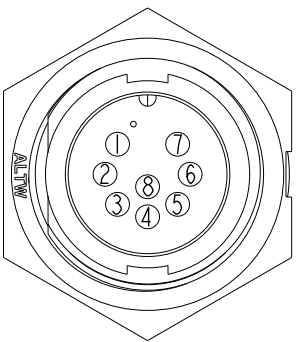


THIS DOCUMENT IS SUBJECT TO CHANGE WITHOUT NOTICE. IT IS CONFIDENTIAL AND A PROPERTY OF Amphenol LTW. DISCLOSURE TO THIRD PARTY HAS TO BE AUTHORIZED BY Amphenol LTW.

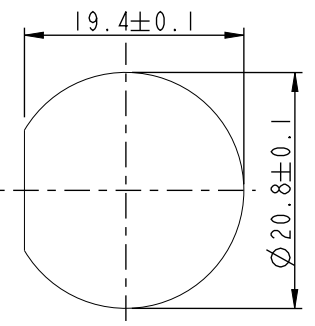
REV.	ECN NO.	DATE	SIGN	DESCRIPTION
C	LEN1630607	2016/03/18	Ruru	Change Logo
D	CI90271	2019/02/27	Ruru	Modify Note
E	C240563	2024/05/22	Hubert	E x1



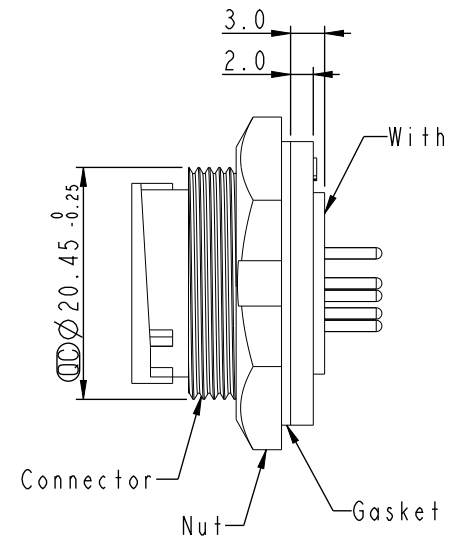
8 Pin Male Connector
Male Pin PCB Layout



Pin Assignments
Front View



Recommended Panel Cut-Out



Note: D

- * D Important Dimension To Check.
- * Waterproof Rate: IP67, Unmated
- * Housing: Thermoplastic, Black
- * Pin: Copper Alloy, Gold Plated
- * Nut: Thermoplastic, Black
- * Gasket: Rubber, Black

- B * Use with waterproof cap or dust cap
Panel Thickness Max: 3.0mm
- B * Use without waterproof cap or dust cap
Panel Thickness Max: 4.0mm
- * Gasket and Nut are packed separately in PE bags.

UNIT:mm		
TOLERANCE	.X ±0.25	
.XX ±0.1		
.XXX ±0.05		
ANGLES	±1°	

TITLE Middle Panel Lock 8Pin M Conn M Pin			
SCALE 1:1	SIZE A4	SHEET 1 OF 1	
REV. E	WC-REV. A.4	D : Inspection item	

Amphenol LTW
安費諾亮泰企業股份有限公司

ITEM NO CD-08PMMP-LC7001	DRAWN BY Hubert	DATE 2024/05/22
DWG NO CD-08PMMP-LC7001	CHECKED BY Aeic	DATE 2024/05/22
CUSTOMER ALTW	APPROVED BY Fred	DATE 2024/05/22