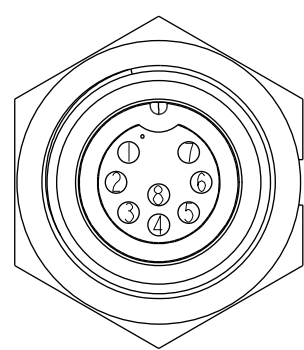
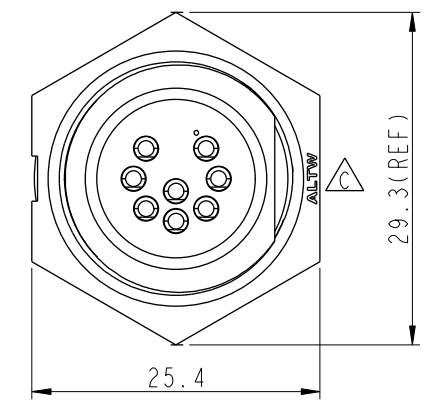
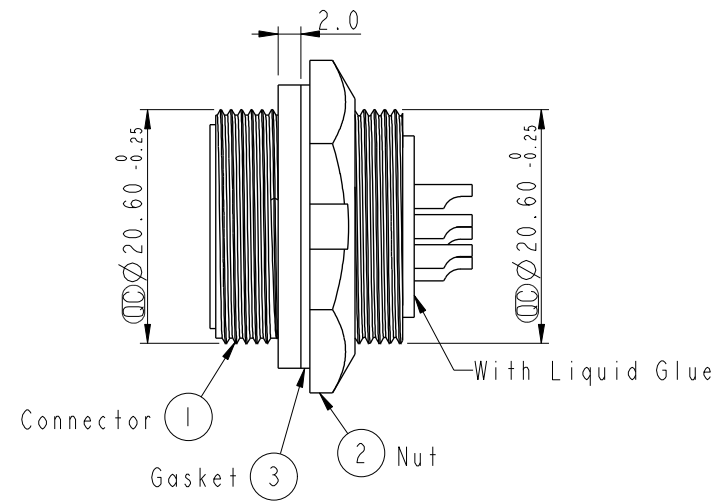
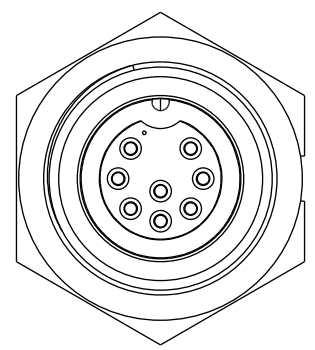


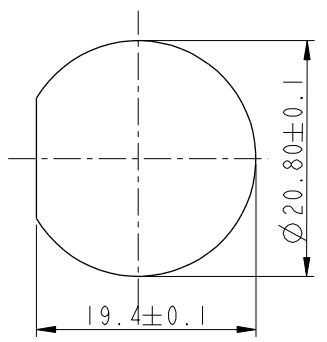
THIS DOCUMENT IS SUBJECT TO CHANGE WITHOUT NOTICE. IT IS CONFIDENTIAL AND A PROPERTY OF AMPHENOL LTW. DISCLOSURE TO THIRD PARTY HAS TO BE AUTHORIZED BY AMPHENOL LTW.

REV.	ECN NO.	DATE	SIGN	DESCRIPTION
B	LEN-8B0255	2008/10/03	Shin	Add Note
C	CI90271	2019/03/04	Ruru	Modify Note & Change Logo

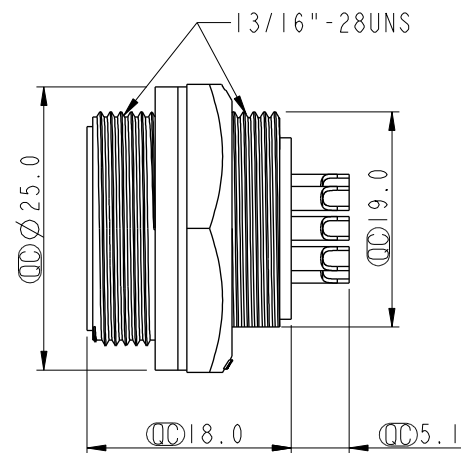
**ALTW**  
 CONFIDENTIAL  
 2019-03-04  
 R&D DEPT.



Pin Assignments  
Front View



Recommender Panel Cut-Out



- Note:
- \* Important Dimension To Check.
  - \* Waterproof Rate: IP67, Unmated
  - \* Housing: Thermoplastic, Black
  - \* Pin: Copper Alloy, Gold Plated
  - \* Nut: Thermoplastic, Black
  - \* Gasket: Rubber, Black
  - \* Use with waterproof cap or dust cap  
Maximum Panel Thickness: 3.0mm
  - \* Use without waterproof cap or dust cap  
Maximum Panel Thickness: 4.0mm
  - \* Gasket and Nut are packed separately in PE bags.

UNIT: mm		
TOLERANCE		
.X	±0.25	
.XX	±0.1	
.XXX	±0.05	
ANGLES	±1°	

TITLE Middle, Panel Screw 8Pin M Conn. F Pin			
SCALE 1:1	SIZE A4	SHEET 1 OF 1	
REV. C	WC-REV. A.2	Inspection item	

**Amphenol LTW**  
 安費諾亮泰企業股份有限公司

ITEM NO. CD-08RMFS-SC7001	DRAWN BY Ruru	DATE 2019-03-04
DWG NO. CD-08RMFS-SC7001	CHECKED BY Rita	DATE 2019-03-04
CUSTOMER ALTW	APPROVED BY Max	DATE 2019-03-04