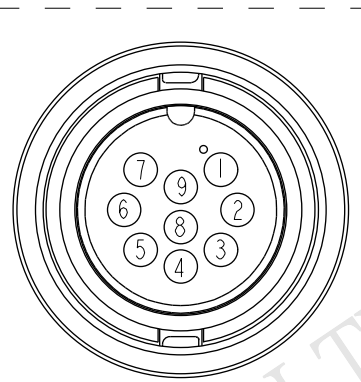
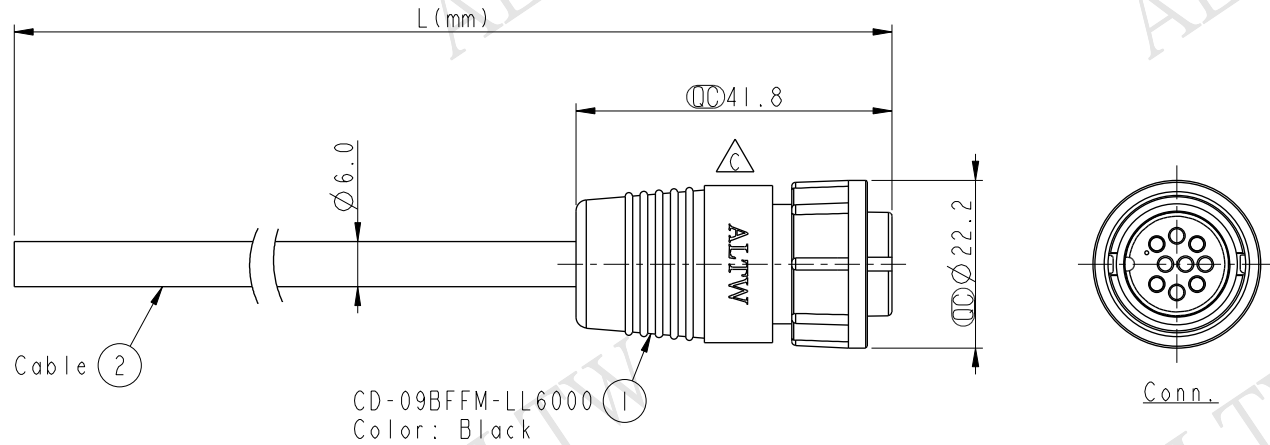
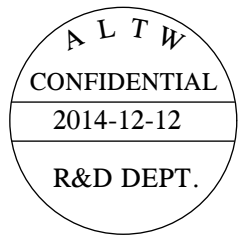
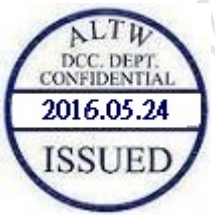


THIS DOCUMENT IS SUBJECT TO CHANGE WITHOUT NOTICE. IT IS CONFIDENTIAL AND A PROPERTY OF Amphenol LTW. DISCLOSURE TO THIRD PARTY HAS TO BE AUTHORIZED BY Amphenol LTW.

REV.	ECN NO.	DATE	SIGN	DESCRIPTION
B	LEN-720008	2006/12/28	Patrick Ian	Revise Color Designation For Pin Out
C	LEN1650572-575	2014/12/12	Jinhai	Change Logo



Pin Assignments
Front View

9	Black	黑
8	Red	紅
7	Pink	粉紅
6	Grey	灰
5	Yellow	黃
4	Green	綠
3	White	白
2	Blue	藍
1	Brown	棕
Conn. Wire Color Pin Out		

CD-09BFFM-LL6A XX

- XX : 01~99Meters
- 01 : 01Meter
- 02 : 02Meters
- ...
- 99 : 99Meters

Cable Length(L): 01~99Meters

Note:

- * CC Important Dimension To Check.
- * Waterproof Rate: IP66
- * Housing: Nylon+GF, Black.
- * Female Pin: Copper Alloy, Gold Plated.
- * Lock Nut: Nylon+GF, Black.
- * O-Ring: Silicon, Gray
- * Cable: UL2464 24AWG*9C+Drain+Al/My PVC Jacket UV Resistant, OD=6.0, Black.
- * Cable Length Tolerance:
 - 01M: 40mm
 - 02M~05M: ± 60 mm
 - 06M~10M: ± 100 mm
 - 11M~30M: ± 200 mm
 - 31M~99M: ± 500 mm

UNIT:mm	
TOLERANCE	± 0.5 mm

TITLE Middle,Cable Lock 9Pin F Conn F Pin			
SCALE 1:1	SIZE A4	SHEET 1 OF 1	
REV. C	WC-REV. A.1	CC : Inspection item	

Amphenol LTW
安費諾亮泰企業股份有限公司

ITEM NO CD-09BFFM-LL6AXX	DRAWN BY Jinhai	DATE 2014-12-12
DWG NO CD-09BFFM-LL6AXX	CHECKED BY Tom	DATE 2014-12-12
CUSTOMER ALTW	APPROVED BY Jerry	DATE 2014-12-12