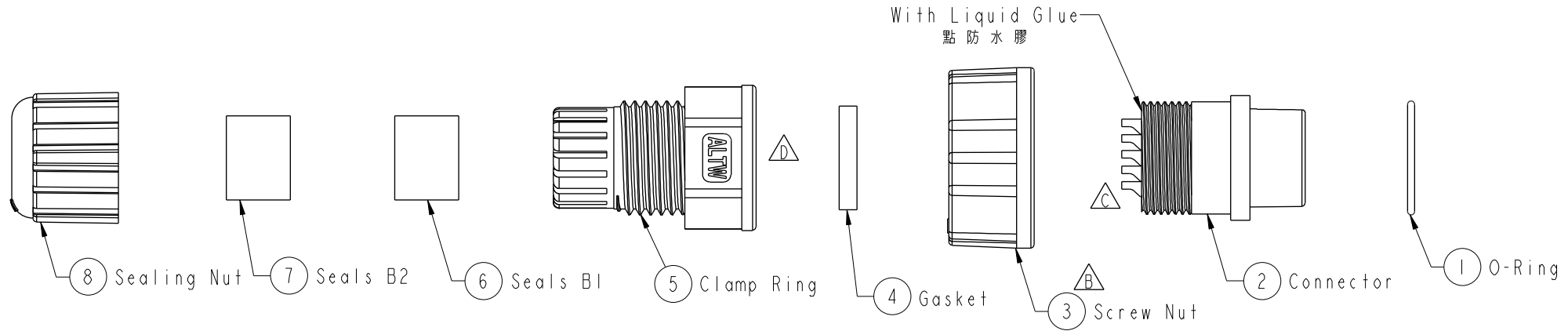
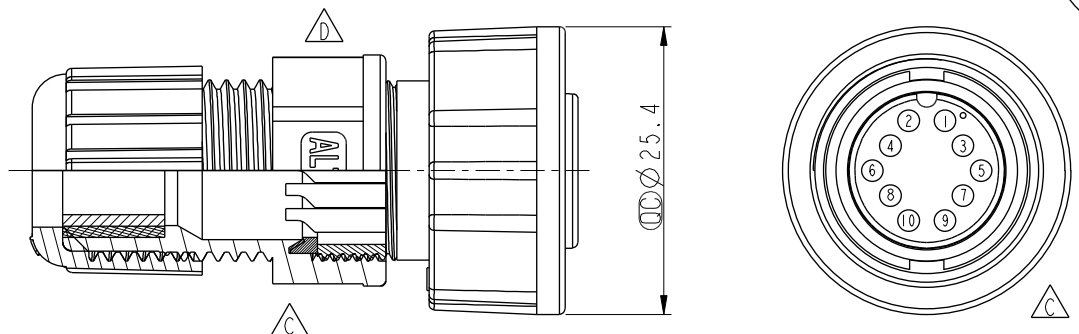


THIS DOCUMENT IS SUBJECT TO CHANGE WITHOUT NOTICE. IT IS CONFIDENTIAL AND A PROPERTY OF Amphenol LTW. DISCLOSURE TO THIRD PARTY HAS TO BE AUTHORIZED BY Amphenol LTW.

REV.	ECN NO.	DATE	SIGN	DESCRIPTION
B	LE3-650101	2006/05/12	DongYaLi	Change ANB152XXX01 To ANB152XXA01
C	LEN-0C0141	2010/11/25	IVNA	Change 前導角 View
D	LEN1741189	2017/04/12	Ruru	Change Logo



- Note:
- * CC Important Dimension.
 - * Waterproof Rate: IP67
 - * Connector: Nylon+GF, Black
 - * Female Pin: Copper Alloy, Gold Plated.
 - * Screw Nut: Nylon+GF, Black
 - * Gasket: Silicone, Black
 - * Sealing Nut: Nylon, Black
 - * Clamp Ring: Nylon, Black.
 - * Seals B1 for Cable OD: $\varnothing 7.6\text{mm} \sim \varnothing 9.6\text{mm}$
(防水墊圈B1線徑: $\varnothing 7.6\text{mm} \sim \varnothing 9.6\text{mm}$)
 - * Seals B2 for Cable OD: $\varnothing 4.0\text{mm} \sim \varnothing 7.6\text{mm}$
(防水墊圈B2線徑: $\varnothing 4.0\text{mm} \sim \varnothing 7.6\text{mm}$)
 - * One Set Unassembled in One PE Bag.
(每一組未組裝, 放置於一個PE袋, 並封口)



Pin Assignments
Front View前視圖

UNIT: mm			TITLE Middle, Assy Screw 10Pin F Conn F Pin
TOLERANCE .X ±0.25 .XX ±0.1 .XXX ±0.05 ANGLES ±1°	SCALE 1:1	SIZE A4	SHEET 1 OF 1
REV. D	WC-REV. A.2	CC : Inspection item	

Amphenol LTW
安費諾亮泰企業股份有限公司

ITEM NO. CD-10BFFA-SL7001	DRAWN BY Ruru	DATE 2017-04-12
DWG NO. CD-10BFFA-SL7001	CHECKED BY Rita	DATE 2017-04-12
CUSTOMER ALTW	APPROVED BY Max	DATE 2017-04-12