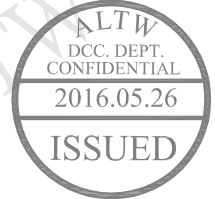
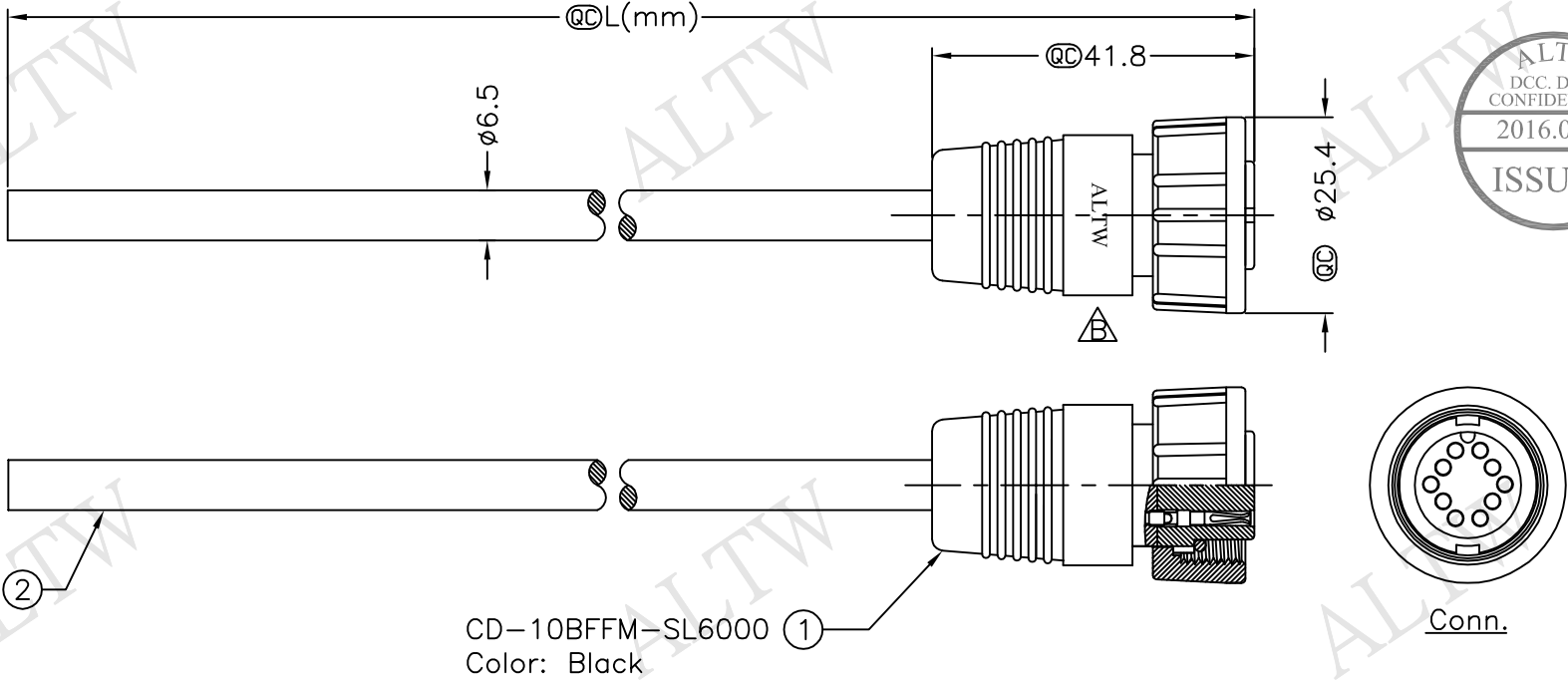


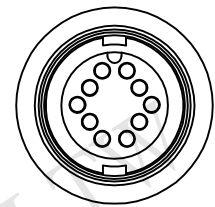
REV.	ECN NO.	DATE	SIGN	DESCRIPTION
B	LEN1650722~725	2016/05/18	Ruru	Change Logo & Note

THIS DOCUMENT IS SUBJECT TO CHANGE WITHOUT NOTICE. IT IS CONFIDENTIAL AND A PROPERTY OF Amphenol LTW. DISCLOSURE TO THIRD PARTY HAS TO BE AUTHORIZED BY Amphenol LTW.



Cable ②

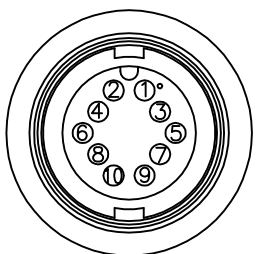
CD-10BFFM-SL6000 ①
Color: Black



Conn.

CD-10BFFM-SL6AXX
 ↑
 XX:01~99Meter
 01:01Meter
 02:02Meters
 ∴
 99:99Meters
 Cable Length(L):01~99Meters

- Note:
- * @C Important Dimension To Check.
 - * Waterproof Rate: IP66
 - * Housing: Nylon+GF,Black
 - * Female Pin: Copper Alloy,Gold Plated
 - * Cable: UL2464 24AWG*10C+Drain+Al/My, Black,PVC Jacket UV Resistant, OD=6.5
 - △* Cable Length Tolerance: 01M: ±40mm
 02M~05M: ±60mm
 06M~10M: ±100mm
 11M~30M: ±200mm
 31M~99M: ±500mm



Pin Assignments
Front View

10	Orange	橘
9	Black	黑
8	Red	紅
7	Pink	粉紅
6	Grey	灰
5	Yellow	黃
4	Green	綠
3	White	白
2	Blue	藍
1	Brown	棕
Conn.	Wire Color	
	Pin Out	

UNIT:mm		TITLE Middle, Cable Screw 10Pin F Conn F Pin
TOLERANCE ±0.5 mm	SCALE Free	SHEET 1 OF 1
REV. B	SIZE A4	@C :Inspection Item

Amphenol LTW
安費諾亮泰企業股份有限公司

ITEM NO	DRAWN BY Ruru	DATE 2016/05/18
DWG NO CD-10BFFM-SL6A <u>XX</u>	CHECKED BY Rita	DATE 2016/05/18
CUSTOMER ALTW	APPROVED BY Lisa	DATE 2016/05/18