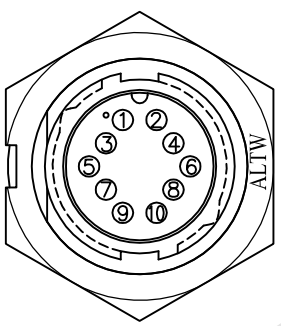
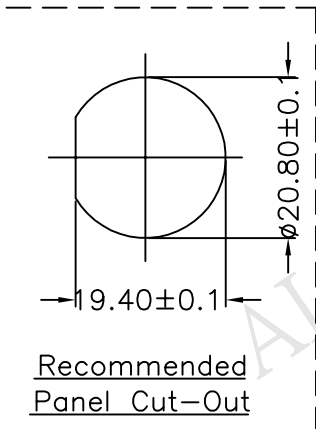
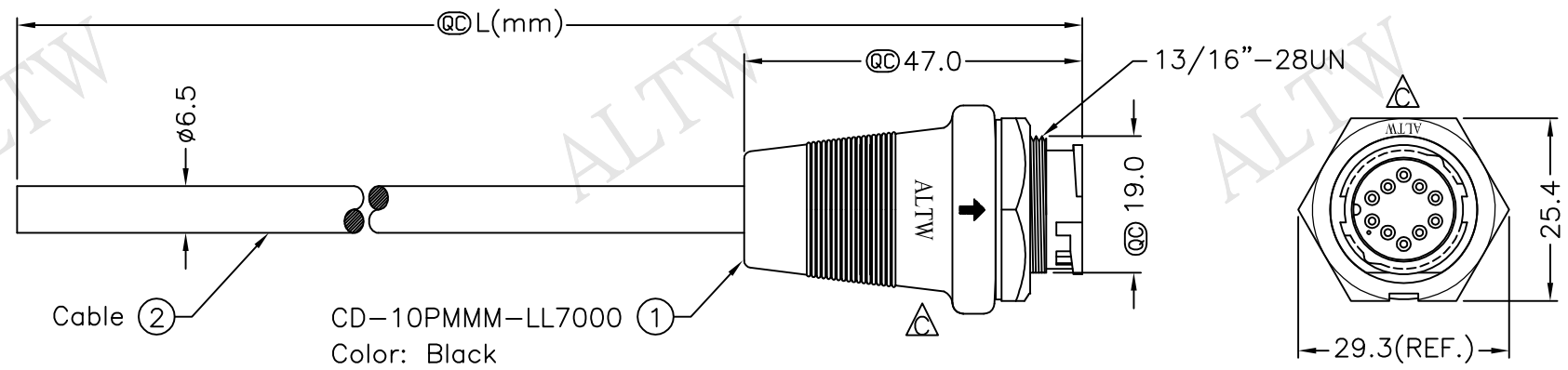
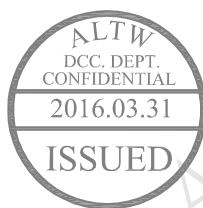


REV.	ECN NO.	DATE	SIGN	DESCRIPTION
B	LEN-8B0073~76	2008/09/25	Shin	Add Note
C	LEN1630531~534	2016/03/17	Ruru	Change Logo & Note



5	Yellow	黃	10	Orange	橘
4	Green	綠	9	Black	黑
3	White	白	8	Red	紅
2	Blue	藍	7	Pink	粉紅
1	Brown	棕	6	Gray	灰
Conn.	Wire Color	Conn.	Wire Color		

Pin Out



CD-10PMMM-LL7AXX

↑

XX:01~99Meter
01:01Meter
02:02Meters
⋮
99:99Meters

Cable Length(L):01~99Meters

- Note:
- * ③ Important Dimensions To Check.
 - * Waterproof Rate: IP67
 - * Housing: Nylon+GF,Black
 - * Male Pin: Copper Alloy,Gold Plated
 - * Cable: UL2464 24AWG*10C+D+AL/My Black,PVC Jacket UV Resistant, OD=6.5
 - △* Use with waterproof cap or dust cap
Panel Thickness Max: 2.0mm
 - △* Use without waterproof cap or dust cap
Panel Thickness Max: 3.0mm
 - △* Cable Length Tolerance: 01M: ±40mm
02M~05M: ±60mm
06M~10M: ±100mm
11M~30M: ±200mm
31M~99M: ±500mm

UNIT:mm		TITLE	Middle, Cable Lock 10Pin M Conn M Pin		ITEM NO	CD-10PMMM-LL7AXX	DRAWN BY	Ruru	DATE	2016/03/17	
TOLERANCE	±0.5 mm	SCALE	Free	SHEET	1 OF 1	DWG NO	CD-10PMMM-LL7AXX	CHECKED BY	Rita	DATE	2016/03/17
REV.	C	SIZE	A4	QC	:Inspection Item	CUSTOMER	ALTW	APPROVED BY	Lisa	DATE	2016/03/17

Amphenol LTW
安費諾亮泰企業股份有限公司

8 FMW0702-01-01A2

THIS DOCUMENT IS SUBJECT TO CHANGE WITHOUT NOTICE. IT IS CONFIDENTIAL AND A PROPERTY OF Amphenol LTW. DISCLOSURE TO THIRD PARTY HAS TO BE AUTHORIZED BY Amphenol LTW.