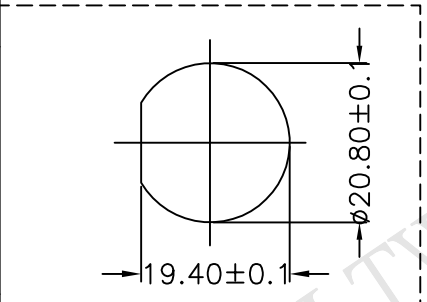
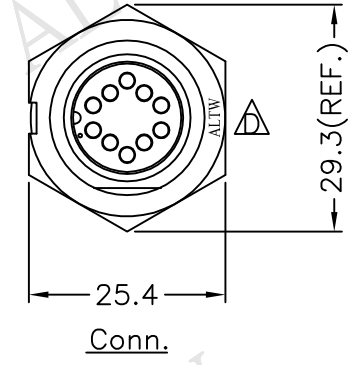
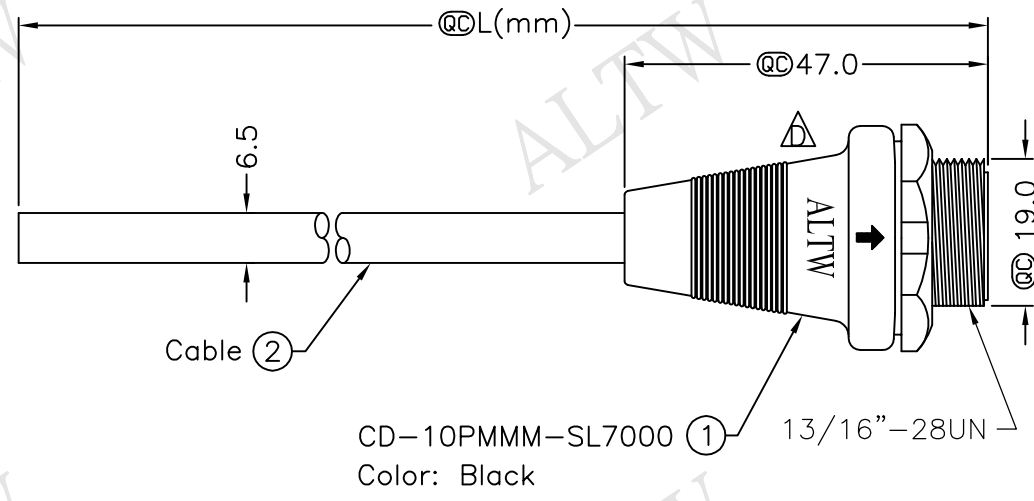
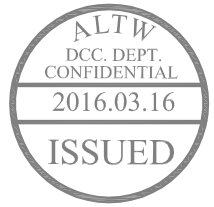


5	6	7	8
REV. B	ECN NO.	DATE	SIGN
C	LEN-8B0136~139	2007/03/21	Ivan
D	LEN1630259~262	2008/09/25	Shin
		2016/03/01	Ruru
			DESCRIPTION
			Change $\phi 20.45+0/-0.25$ to $\phi 20.60+0/-0.25$
			Add Note
			Change Logo & Note

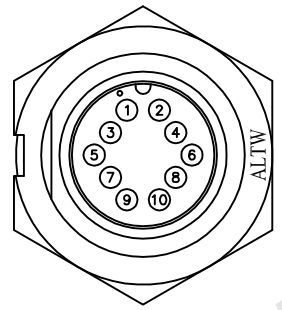


Recommended Panel Cut-Out



CD-10PMMM-SL7AXX
 XX:01~99Meters
 01:01Meter
 02:02Meters
 ...
 99:99Meters
 Cable Length(L):01~99Meters

- Note:
- * @C Important Dimension To Check.
 - * Waterproof Rate: IP67
 - * Housing: Nylon+GF, Black
 - * Pin: Copper Alloy, Gold Plated
 - * Cable: UL2464 24AWG*10C+Drain+Al/My, PVC Jacket UV Resistant, OD=6.5mm, Black
 - * Use with waterproof cap or dust cap
Panel Thickness Max: 1.2mm
 - * Use without waterproof cap or dust cap
Panel Thickness Max: 2.0mm
 - * Cable Length Tolerance: 01M: ±40mm
02M~05M: ±60mm
06M~10M: ±100mm
11M~30M: ±200mm
31M~99M: ±500mm



Pin Assignments Front View

5	Yellow	黃	10	Orange	橘
4	Green	綠	9	Black	黑
3	White	白	8	Red	紅
2	Blue	藍	7	Pink	粉紅
1	Brown	棕	6	Gray	灰
Conn.	Wire Color		Conn.	Wire Color	
Pin Out					

UNIT:mm	
TOLERANCE	±0.5 mm

TITLE	Middle
	Cable Screw 10Pin M Conn M Pin
SCALE	Free
SHEET	1 OF 1
REV. D	SIZE A4
	@C :Inspection Item

Amphenol LTW
 安費諾亮泰企業股份有限公司

ITEM NO	
DWG NO	CD-10PMMM-SL7AXX
CUSTOMER	ALTW

DRAWN BY	Ruru
CHECKED BY	Rita
APPROVED BY	Lisa

DATE	2016/03/01
DATE	2016/03/01
DATE	2016/03/01

THIS DOCUMENT IS SUBJECT TO CHANGE WITHOUT NOTICE. IT IS CONFIDENTIAL AND A PROPERTY OF Amphenol LTW. DISCLOSE TO THIRD PARTY HAS TO BE AUTHORIZED BY Amphenol LTW.