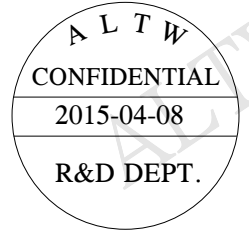
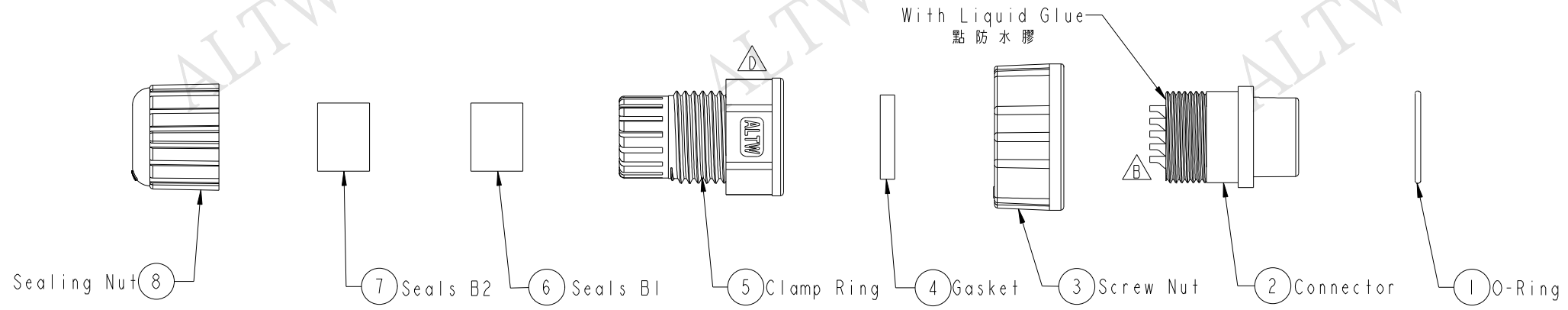
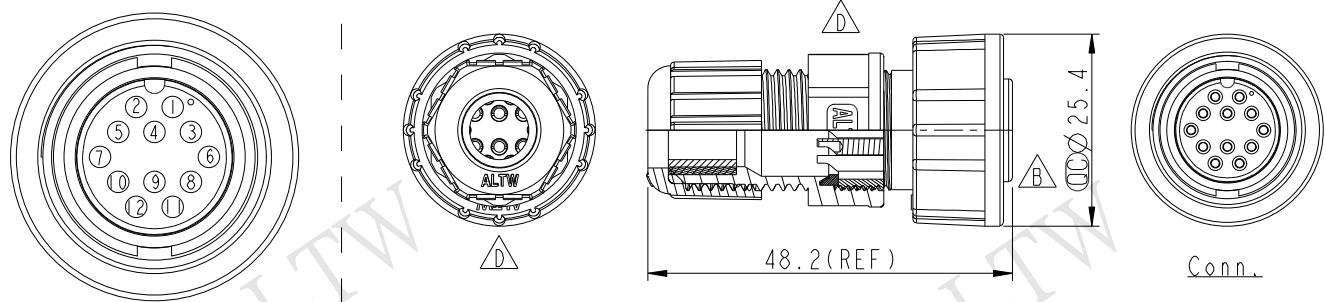


THIS DOCUMENT IS SUBJECT TO CHANGE WITHOUT NOTICE. IT IS CONFIDENTIAL AND A PROPERTY OF Amphenol LTW. DISCLOSURE TO THIRD PARTY HAS TO BE AUTHORIZED BY Amphenol LTW.

REV.	ECN NO.	DATE	SIGN	DESCRIPTION
B	LE3-650102	2006/05/12	DongYaLi	Change ANBI52XXX01 To ANBI52XXA01
C	LEN-0C0143	2010/11/25	IVNA	Change 前導角 View
D	LEN1580256	2015/04/08	Jinhai	Change Logo



- Note:
- * \varnothing Important Dimension.
 - * Connector: Nylon+GF, Black
 - * Female Pin: Copper Alloy, Gold Plated.
 - * O-Ring: EPDM, Black.
 - * Screw Nut: Nylon+GF, Black
 - * Gasket: Silicone, Black
 - * Sealing Nut: Nylon, Black.
 - * Clamp Ring: Nylon, Black.
 - * Seals: EPDM, Black
 - * Seals B1 for Cable OD: $\varnothing 7.6\text{mm} \sim \varnothing 9.6\text{mm}$
(防水墊圈B1線徑: $\varnothing 7.6\text{mm} \sim \varnothing 9.6\text{mm}$)
 - * Seals B2 for Cable OD: $\varnothing 4.0\text{mm} \sim \varnothing 7.6\text{mm}$
(防水墊圈B2線徑: $\varnothing 4.0\text{mm} \sim \varnothing 7.6\text{mm}$)
 - * One Set Unassembled in One PE Bag.
(每一組未組裝, 放置於一個PE袋, 並封口)



Pin Assignments
Front View 前視圖

UNIT: mm		
TOLERANCE		
.X	± 0.25	
.XX	± 0.1	
.XXX	± 0.05	
ANGLES	$\pm 1^\circ$	

TITLE Middle Screw Assy 12 Pin F Conn F Pin			
SCALE 1:1	SIZE A4	SHEET 1 OF 1	
REV. D	WC-REV. A.2	\varnothing : Inspection item	

Amphenol LTW
安費諾亮泰企業股份有限公司

ITEM NO. CD-12BFFA-SL7001	DRAWN BY Jinhai	DATE 2015-04-08
DWG NO. CD-12BFFA-SL7001	CHECKED BY Tom	DATE 2015-04-08
CUSTOMER ALTW	APPROVED BY Jerry	DATE 2015-04-08