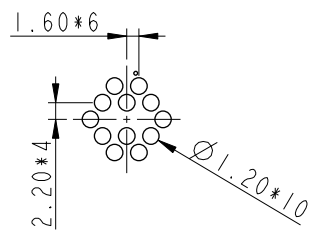
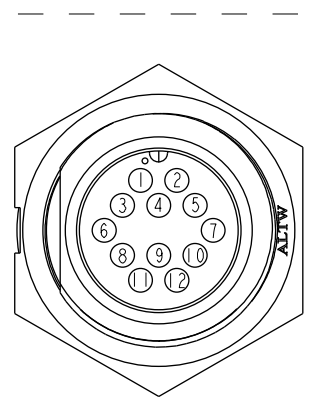
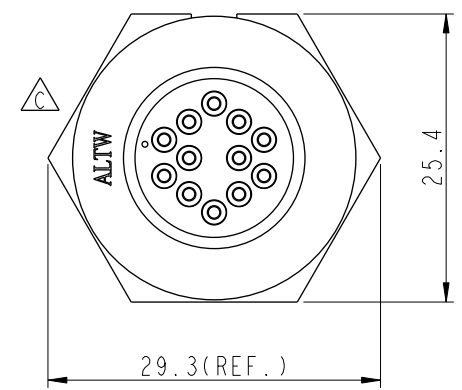
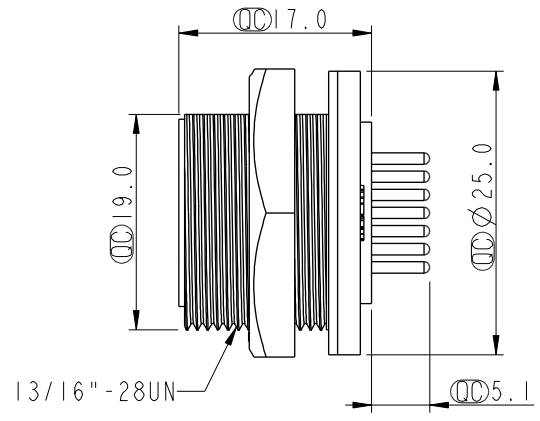
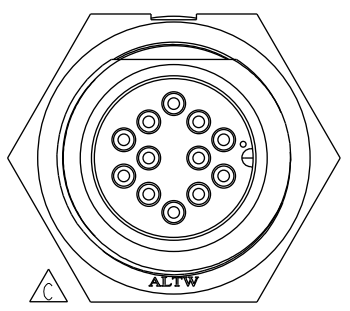


THIS DOCUMENT IS SUBJECT TO CHANGE WITHOUT NOTICE. IT IS CONFIDENTIAL AND A PROPERTY OF AMPHENOL LTW. DISCLOSURE TO THIRD PARTY HAS TO BE AUTHORIZED BY AMPHENOL LTW.

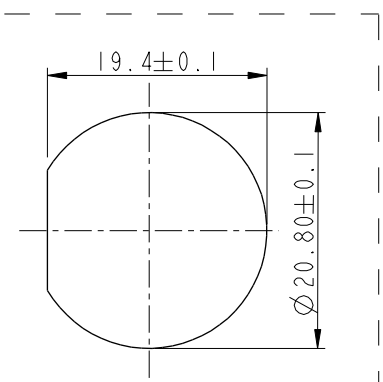
REV.	ECN NO.	DATE	SIGN	DESCRIPTION
B	LEN-8B0146	2008/09/25	Shin	Add Note
C	LEN1530247	2014/12/25	Ruru	Change Logo
D	CI90271	2019/03/04	Ruru	Modify Note



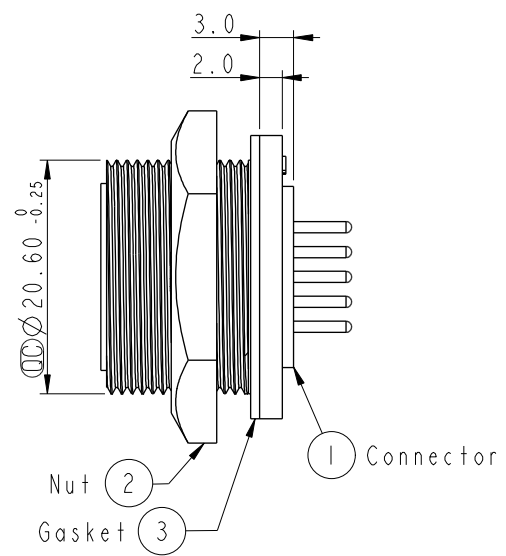
12Pin Male Connector  
Male Pin PCB Layout



Pin Assignments  
Front View



Recommended Panel Cut-Out



Note:

- \* Important Dimension To Check
- \* Waterproof Rate: IP67, Unmated
- \* Housing: Thermoplastic, Black
- \* Pin: Copper Alloy, Gold Plated
- \* Nut: Thermoplastic, Black
- \* Gasket: Rubber, Black

- \* Use with waterproof cap or dust cap  
Maximum Panel Thickness: 2.0mm
- \* Use without waterproof cap or dust cap  
Maximum Panel Thickness: 3.0mm
- \* Gasket and Nut are packed separately in PE bags.

UNIT:mm	
TOLERANCE	
.X	±0.25
.XX	±0.1
.XXX	±0.05
ANGLES	±1°

TITLE Middle Panel Screw 12Pin M Conn M Pin			
SCALE 1:1	SIZE A4	SHEET 1 OF 1	
REV. D	WC-REV. A.3	Inspection item	

**Amphenol LTW**  
安費諾亮泰企業股份有限公司

ITEM NO CD-12PMMP-SC7001	DRAWN BY Ruru	DATE 2019-03-04
DWG NO CD-12PMMP-SC7001	CHECKED BY Rita	DATE 2019-03-04
CUSTOMER ALTW	APPROVED BY Max	DATE 2019-03-04