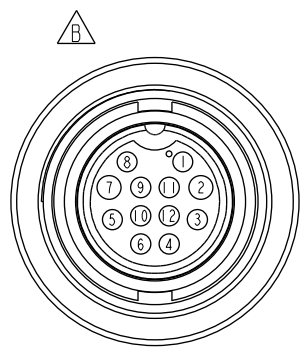
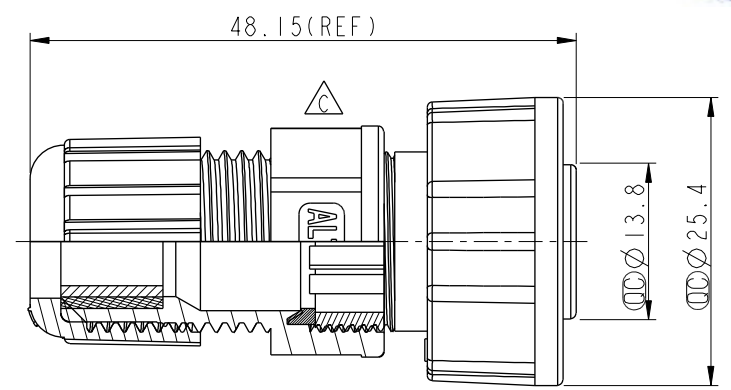
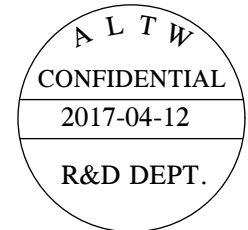
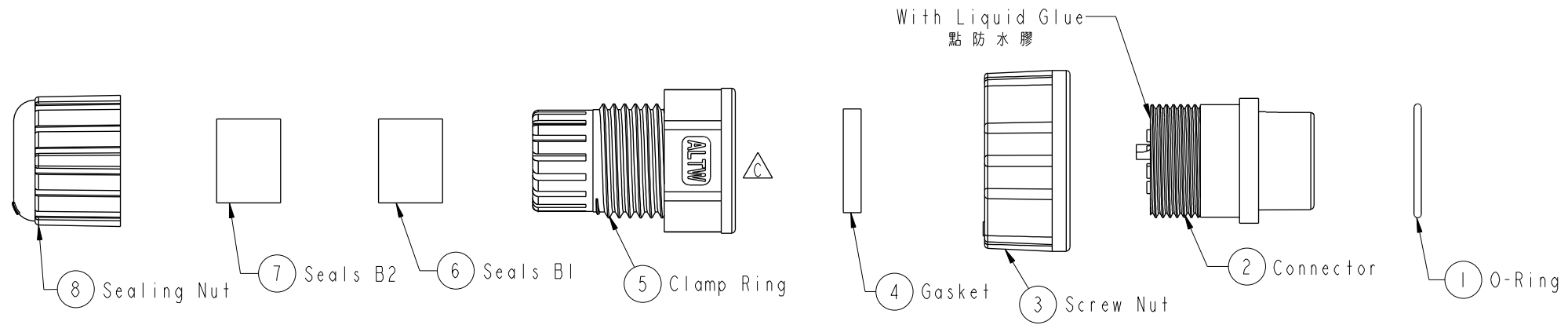


THIS DOCUMENT IS SUBJECT TO CHANGE WITHOUT NOTICE. IT IS CONFIDENTIAL AND A PROPERTY OF AMPHENOL LTW. DISCLOSURE TO THIRD PARTY HAS TO BE AUTHORIZED BY AMPHENOL LTW.

| REV. | ECN NO. | DATE | SIGN | DESCRIPTION |
|------|------------|------------|-------|------------------------|
| B | LEN-9C0069 | 2009/12/03 | Kevin | Change Pin Assignments |
| C | LEN1741190 | 2017/04/12 | Ruru | Change Logo |



- Note:
- * \varnothing Important Dimension To Check.
 - * Waterproof Rate: IP67
 - * Connector: Nylon+GF, Black
 - * Male Pin: Copper Alloy, Gold Plated
 - * Screw Nut: Nylon+GF, Black
 - * O-Ring: EPDM, Black.
 - * Gasket: Silicone, Black
 - * Clamp Ring: Nylon, Black
 - * Sealing-Nut: Nylon, Black.
 - * Seals: EPDM, Black
 - * Seals B1 for Cable OD: $\varnothing 7.6\text{mm} \sim \varnothing 9.6\text{mm}$
 - * Seals B2 for Cable OD: $\varnothing 4.0\text{mm} \sim \varnothing 7.6\text{mm}$
 - * One Set Unassembled in One PE Bag.
(每一組未組裝, 放置於一個PE袋, 並封口)

| | | | | | | | | |
|---|---|---------------|---------------------|--------------------------------------|--|------------------------------|--------------------|--------------------|
| UNIT: mm TOLERANCE .X ±0.25 .XX ±0.1 .XXX ±0.05 ANGLES ±1° | TITLE 12Pin Female Connector Male Pin(5A+2A) | | | Amphenol LTW 安費諾亮泰企業股份有限公司 | | ITEM NO CDU-12BFMA-SL7001 | DRAWN BY Ruru | DATE 2017-04-12 |
| | SCALE 1:1 | SIZE A4 | SHEET 1 OF 1 | | | DWG NO CDU-12BFMA-SL7001 | CHECKED BY Rita | DATE 2017-04-12 |
| | REV. C | WC-REV. .0 | QC: Inspection item | | | CUSTOMER ALTW | APPROVED BY Max | DATE 2017-04-12 |