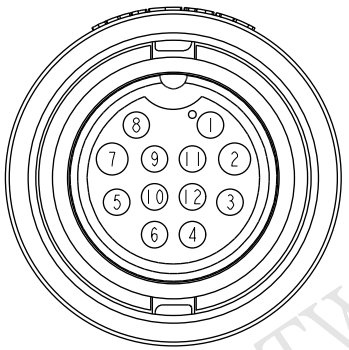
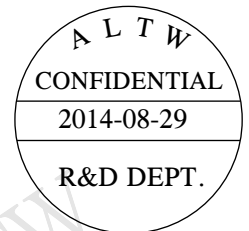
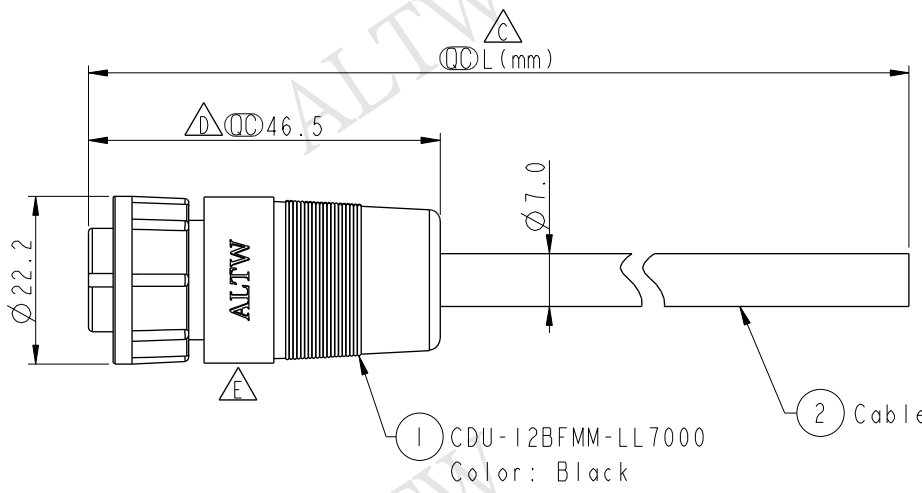
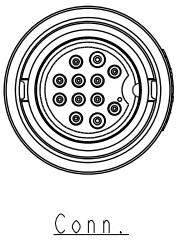


REV.	ECN NO.	DATE	SIGN	DESCRIPTION
C	LEN-030140~143	2010/03/24	Li Xiu Zhi	Change Dimension & Update Drawing
D	LEN-080220~223	2010/08/23	Vicky	Modify Dimension & Title
E	LEN1490086~089	2014/08/29	Vicky	Update Logo



Pin Assignments  
Front View

12	Light Green	淺綠
11	Pink	粉紅
10	White	白
9	Gray	灰
8	Purple	紫
7	Blue	藍
6	Green	綠
5	Yellow	黃
4	Orange	橘
3	Red	紅
2	Brown	棕
1	Black	黑
Conn.	Wire Color	Pin Out

CDU-12BFMM-LL7A<sup>△</sup>XX

XX :01~99Meters  
 01 :01Meter  
 02 :02Meters  
 ...  
 99 :99Meters

Cable Length(L):01~99Meters

Note:

- \*  $\varnothing$  Important Dimension To Check
- \* Waterproof Rate: IP67
- \* Housing: Nylon+GF, Black
- \* Male Pin: Copper Alloy, Gold Plated
- \* Lock Nut: Nylon+GF, Black
- \* O-Ring: EPDM, Black
- \* Cable: UL2464 24AWG\*12C+Drain+Al/My, Black,PVC Jacket,UV Resistant,OD=7.0
- \* Cable Length Tolerance:
  - 01M:±40mm
  - 02M~05M:±60mm
  - 06M~10M:±100mm
  - 11M~30M:±200mm
  - 31M~99M:±500mm

UNIT:mm		TITLE	Middle Cable Lock 12Pin F Conn M Pin <sup>△</sup>
TOLERANCE	±0.5 mm	SCALE	1:1
		SIZE	A4
		SHEET	1 OF 1
		REV.	E
		WC-REV.	A.1
		$\varnothing$	Inspection item

**Amphenol LTW**  
 安費諾亮泰企業股份有限公司

ITEM NO	CDU-12BFMM-LL7A <sup>△</sup> XX	DRAWN BY	Vicky	DATE	2014-08-29
DWG NO	CDU-12BFMM-LL7A <sup>△</sup> XX	CHECKED BY	Sam	DATE	2014-08-29
CUSTOMER	ALTW	APPROVED BY	Rita	DATE	2014-08-29

THIS DOCUMENT IS SUBJECT TO CHANGE WITHOUT NOTICE. IT IS CONFIDENTIAL AND A PROPERTY OF AMPHENOL LTW. DISCLOSURE TO THIRD PARTY HAS TO BE AUTHORIZED BY AMPHENOL LTW.