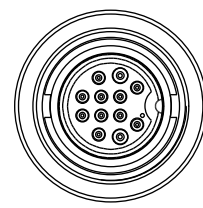
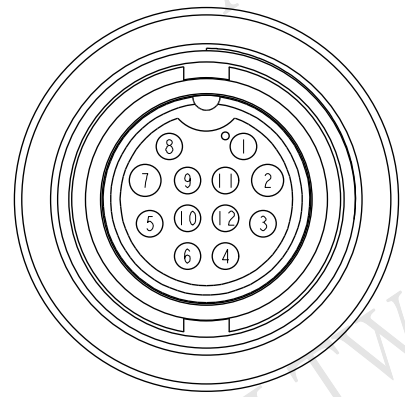
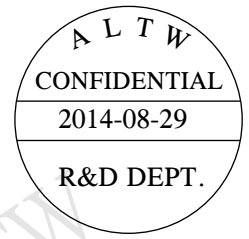
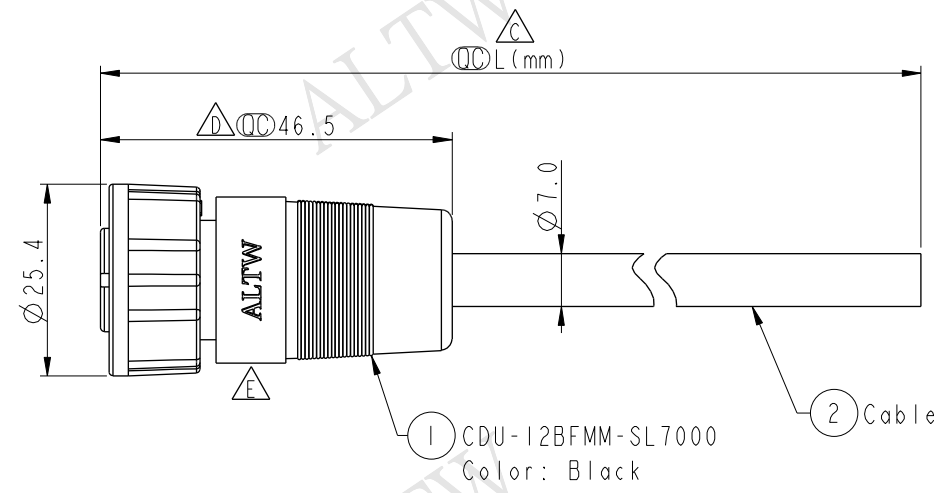


THIS DOCUMENT IS SUBJECT TO CHANGE WITHOUT NOTICE. IT IS CONFIDENTIAL AND A PROPERTY OF AMPHENOL LTW. DISCLOSURE TO THIRD PARTY HAS TO BE AUTHORIZED BY AMPHENOL LTW.

REV.	ECN NO.	DATE	SIGN	DESCRIPTION
C	LEN-030519~522	2010/03/24	Li Xiu Zhi	Change Dimension & Update Drawing
D	LEN-080224~227	2010/08/23	Vicky	Modify Dimension & Title
E	LEN1490091~094	2014/08/29	Vicky	Update Logo



Conn.



Pin Assignments Front View

12	Light Green	淺綠
11	Pink	粉紅
10	White	白
9	Gray	灰
8	Purple	紫
7	Blue	藍
6	Green	綠
5	Yellow	黃
4	Orange	橘
3	Red	紅
2	Brown	棕
1	Black	黑
Conn.	Wire Color	

Pin Out

CDU-12BFMM-SL7AXX Δ
 XX : 01~99Meters
 01 : 01Meter
 02 : 02Meters
 ...
 99 : 99Meters
 Cable Length(L): 01~99Meters

- Note:
- * Δ Important Dimension To Check
 - * Waterproof Rate: IP67
 - * Housing: Nylon+GF, Black
 - * Male Pin: Copper Alloy, Gold Plated
 - * Screw Nut: Nylon+GF, Black
 - * O-Ring: EPDM, Black
 - * Cable: UL2464 24AWG*12C+Drain+Al/My, Black, PVC Jacket, UV Resistant, OD=7.0
 - * Cable Length Tolerance:
 - 01M: ±40mm
 - 02M~05M: ±60mm
 - 06M~10M: ±100mm
 - 11M~30M: ±200mm
 - 31M~99M: ±500mm

UNIT:mm		TITLE	Middle Cable Screw 12Pin F Conn M Pin Δ
TOLERANCE	±0.5 mm	SCALE	1:1
		SIZE	A4
		SHEET	1 OF 1
		REV.	E
		WC-REV.	A.1
		Δ	Inspection item

Amphenol LTW
 安費諾亮泰企業股份有限公司

ITEM NO	CDU-12BFMM-SL7AXX	DRAWN BY	Vicky	DATE	2014-08-29
DWG NO	CDU-12BFMM-SL7AXX	CHECKED BY	Sam	DATE	2014-08-29
CUSTOMER	ALTW	APPROVED BY	Rita	DATE	2014-08-29