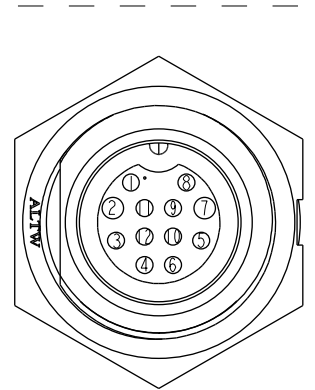
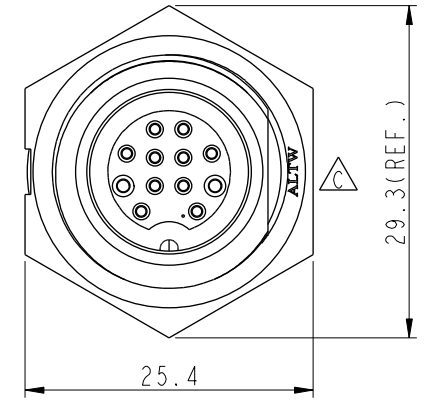
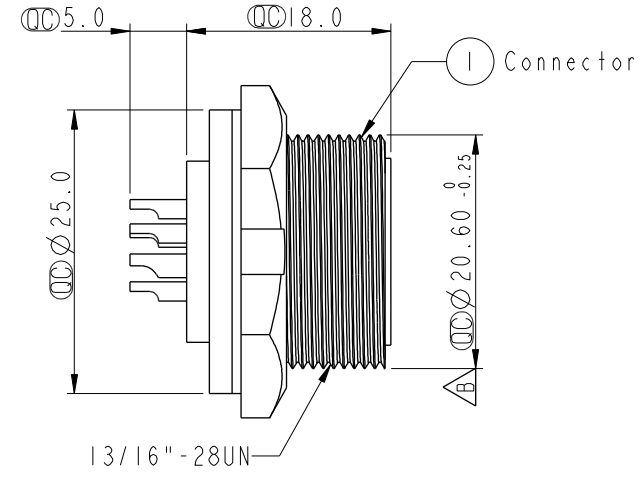
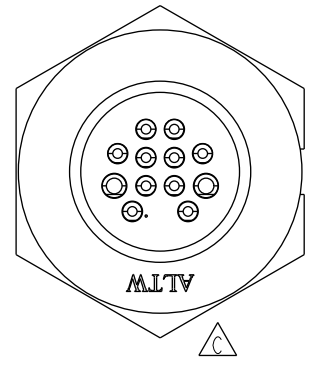
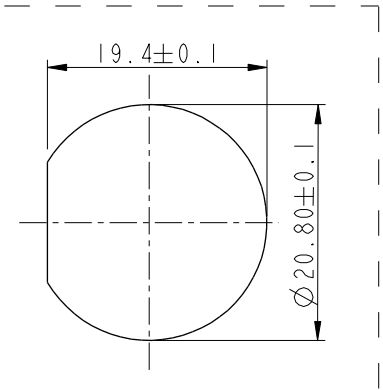


THIS DOCUMENT IS SUBJECT TO CHANGE WITHOUT NOTICE. IT IS CONFIDENTIAL AND A PROPERTY OF Amphenol LTW. DISCLOSURE TO THIRD PARTY HAS TO BE AUTHORIZED BY Amphenol LTW.

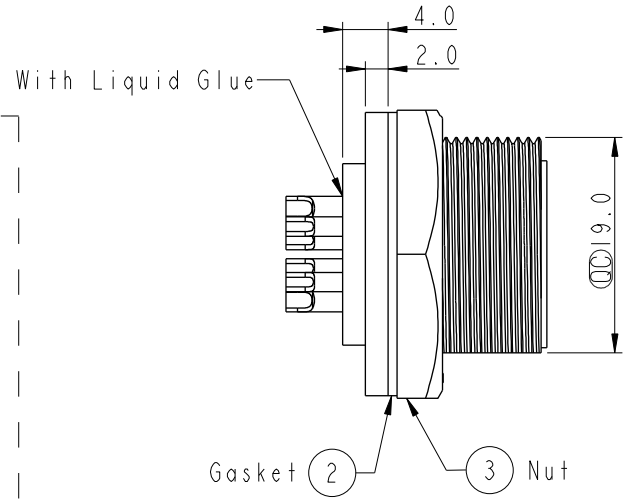
REV.	ECN NO.	DATE	SIGN	DESCRIPTION
B	LEN-8B0225	2008/09/25	Shin	Add Note & update Thread Dimension.
C	LEN1630511	2016/03/16	Ruru	Change Logo
D	CI90310	2019/03/08	Ruru	Modify Note



Pin Assignments Front View



Recommended Panel Cut-Out



- Note:  $\triangle$
- \*  $\text{⌀}$  Important Dimension.
  - \* Waterproof Rate: IP67, Unmated
  - \* Housing: Thermoplastic, Black
  - \* Pin: Copper Alloy, Gold Plated
  - \* Nut: Thermoplastic, Black
  - \* Gasket: Rubber, Black
  - $\triangle$  \* Use with waterproof cap or dust cap  
Maximum Panel Thickness: 2.0mm
  - $\triangle$  \* Use without waterproof cap or dust cap  
Maximum Panel Thickness: 3.0mm
  - \* Gasket and Nut are packed separately in PE bags.

UNIT:mm	
TOLERANCE	
.X	±0.25
.XX	±0.1
.XXX	±0.05
ANGLES	±1°

TITLE 12Pin Male Connector Female Pin(5A&2A)			
SCALE 1:1	SIZE A4	SHEET 1	OF 1
REV. D	WC-REV. A.3	$\text{⌀}$ : Inspection item	

**Amphenol LTW**  
安費諾亮泰企業股份有限公司

ITEM NO CDU-12PMFS-SC7001	DRAWN BY Ruru	DATE 2019-03-08
DWG NO CDU-12PMFS-SC7001	CHECKED BY Rita	DATE 2019-03-08
CUSTOMER ALTW	APPROVED BY Max	DATE 2019-03-08