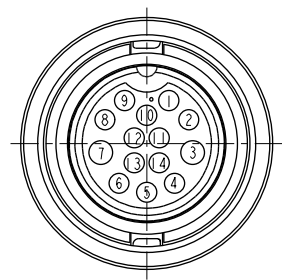
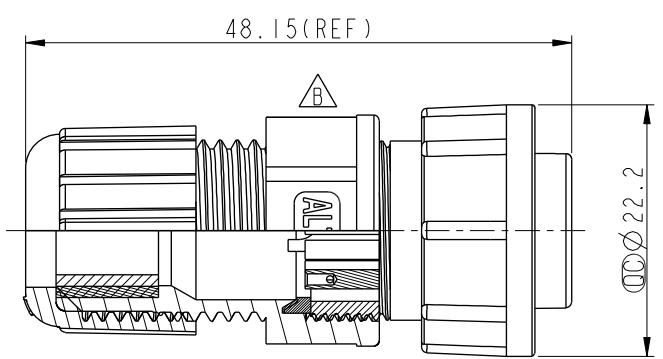
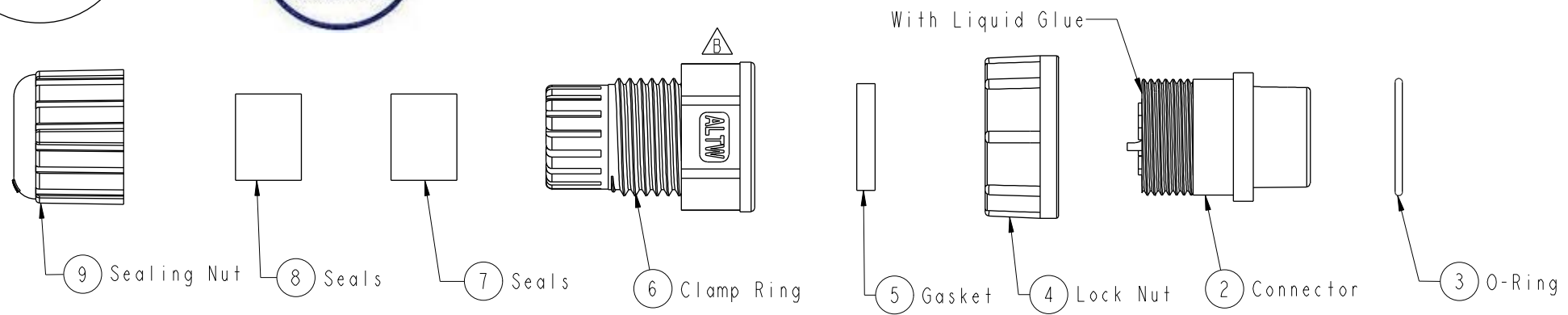


THIS DOCUMENT IS SUBJECT TO CHANGE WITHOUT NOTICE. IT IS CONFIDENTIAL AND A PROPERTY OF AMPHENOL LTW. DISCLOSURE TO THIRD PARTY HAS TO BE AUTHORIZED BY AMPHENOL LTW.

REV.	ECN NO.	DATE	SIGN	DESCRIPTION
B	LEN1741325	2017/04/24	Ruru	Change Logo



Pin Assignments
Front View

- Note:
- * \varnothing Important Dimension To Check.
 - * Waterproof Rate: IP67
 - * Housing: Nylon+GF
 - * Pin: Copper Alloy, Gold Plated
 - * Liquid Glue: Clear
 - * Ring: Black, EPDM
 - * Nut: Black, Nylon+GF
 - * Gasket: Black, Silicone
 - * Clamping Ring: Black, Nylon
 - * Seals: Black, EPDM
 - * Sealing Nut: Black, Nylon
 - * Seals B1 for Cable OD: $\varnothing 7.6\text{mm} \sim \varnothing 9.6\text{mm}$
 - * Seals B2 for Cable OD: $\varnothing 4.0\text{mm} \sim \varnothing 7.6\text{mm}$
 - ⑨ * One Set Unassembled in One PE Bag.

UNIT: mm		TITLE Middle Assy Lock 14Pin F Conn M Pin			Amphenol LTW 安費諾亮泰企業股份有限公司	ITEM NO CDU-14BFMA-LL7001	DRAWN BY Ruru	DATE 2017-04-24
		TOLERANCE .X ± 0.25 .XX ± 0.1 .XXX ± 0.05 ANGLES $\pm 1^\circ$	SCALE 1:1	SIZE A4		SHEET 1 OF 1	DWG NO CDU-14BFMA-LL7001	CHECKED BY Rita
		REV. B	WC-REV. A.2	Inspection item	CUSTOMER ALTW	APPROVED BY Max	DATE 2017-04-24	