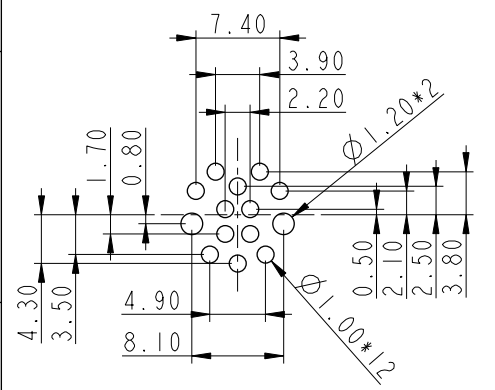
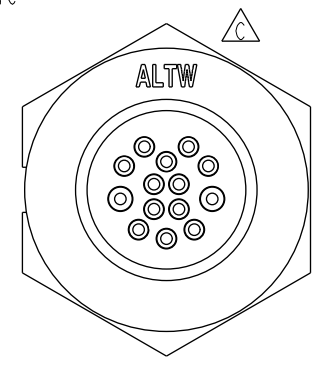
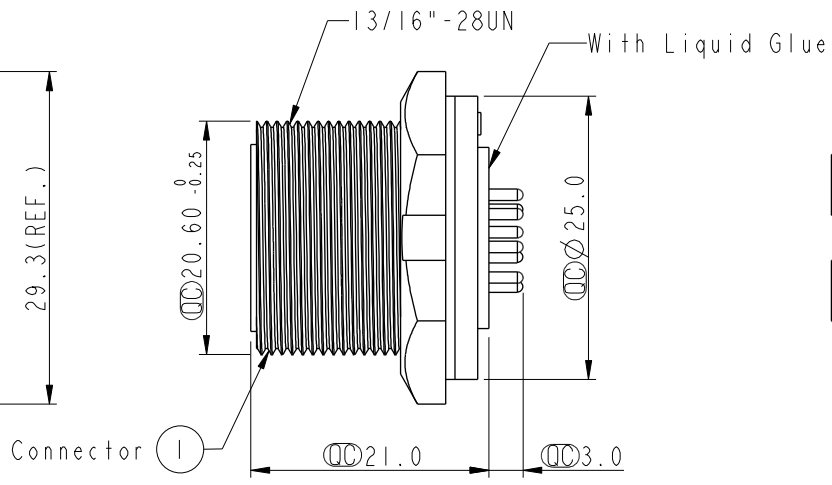
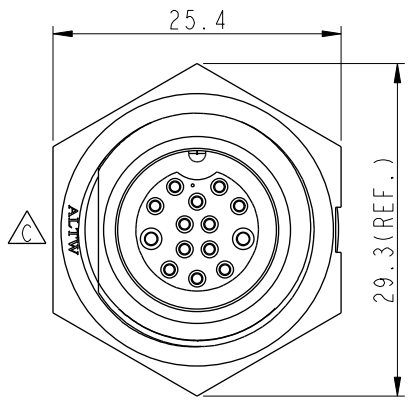
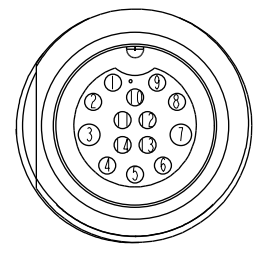


ALTW
CONFIDENTIAL
2019-03-08
R&D DEPT.

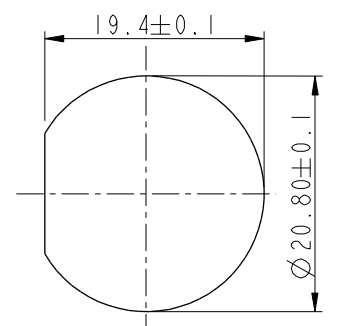
REV.	ECN NO.	DATE	SIGN	DESCRIPTION
B	LEN-8B0226	2008/09/25	Shin	Add Note
C	LEN1681402	2016/08/23	Ruru	Change Logo
D	CI90310	2019/03/08	Ruru	Modify Note



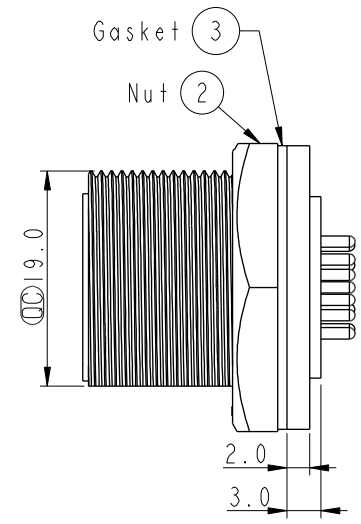
PCB Layout



Pin Assignments
Front View



Recommended
Panel Cut-Out



Note: \triangle

- * CC Important Dimension.
- * Waterproof Rate: IP67, Unmated
- * Housing: Thermoplastic, Black
- * Pin: Copper Alloy, Gold Plated
- * Nut: Thermoplastic, Black
- * Gasket: Rubber, Black
- * Liquid Glue: Clear
- \triangle * Use with Waterproof cap or dust cap
Maximum Panel Thickness: 2.0mm
- \triangle * Use without Waterproof cap or dust cap
Maximum Panel Thickness: 3.0mm
- * Gasket and Nut are packed separately in PE bags.

UNIT:mm	
TOLERANCE	
.X	±0.25
.XX	±0.1
.XXX	±0.05
ANGLES	±1°

TITLE 14Pin M Conn F Pin (5+2A) Screw Type for Panel PCB			
SCALE 3:2	SIZE A4	SHEET 1 OF 1	
REV. D	WC-REV. A.2	CC : Inspection item	

Amphenol LTW
安費諾亮泰企業股份有限公司

ITEM NO. CDU-14PMFP-SC7001	DRAWN BY Ruru	DATE 2019-03-08
DWG NO. CDU-14PMFP-SC7001	CHECKED BY Rita	DATE 2019-03-08
CUSTOMER ALTW	APPROVED BY Max	DATE 2019-03-08

THIS DOCUMENT IS SUBJECT TO CHANGE WITHOUT NOTICE. IT IS CONFIDENTIAL AND A PROPERTY OF AMPHENOL LTW. DISCLOSURE TO THIRD PARTY HAS TO BE AUTHORIZED BY AMPHENOL LTW.