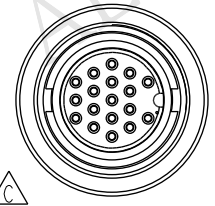
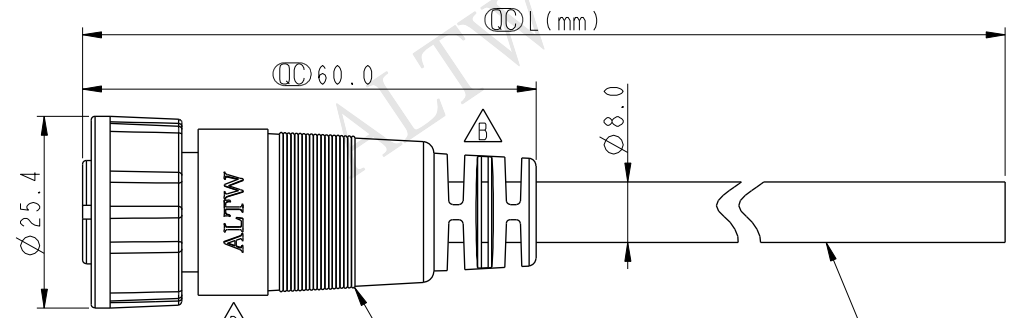


THIS DOCUMENT IS SUBJECT TO CHANGE WITHOUT NOTICE. IT IS CONFIDENTIAL AND A PROPERTY OF AMPHENOL LTW. DISCLOSURE TO THIRD PARTY HAS TO BE AUTHORIZED BY AMPHENOL LTW.

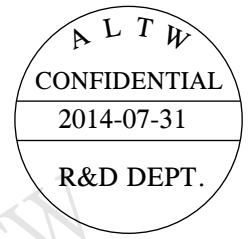
REV.	ECN NO.	DATE	SIGN	DESCRIPTION
B	LEN-9A0194~197	2009/04/17	Li Xiu Zhi	Change SR View & Update Note
C	LEN-0C0124~127	2010/11/23	Ivan	Change 前導角 View
D	LEN1480116~119	2014/07/31	Vicky	Update Logo & Pin Out Wire Color



Conn.



- ① CU-18AFFM-SL7000
Color: Black
- ② Cable



18	Blue/White	藍/白
17	Light Green	淺綠
16	Green/White	綠/白
15	Brown/White	棕/白
14	Orange/White	橘/白
13	Black/White	黑/白
12	Red/White	紅/白
11	Orange	橘
10	Pink	粉紅
9	Gray	灰
8	Purple	紫
7	Yellow	黃
6	Green	綠
5	White	白
4	Brown	棕
3	Blue	藍
2	Black	黑
1	Red	紅
Conn.	Wire Color	Pin Out Δ

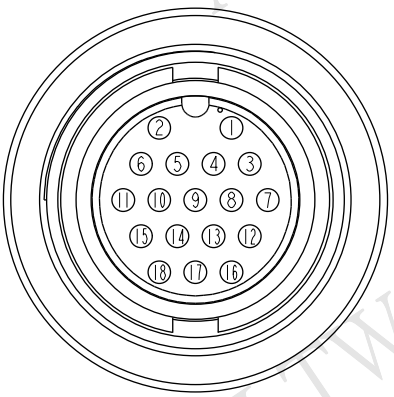
CU-18AFFM-SL7AXX

- XX : 01~99Meters
- 01 : 01Meter
- 02 : 02Meters
- :
- :
- 99 : 99Meters

Cable Length(L): 01~99Meters

Δ Note:

- * $\text{\textcircled{L}}$ Important Dimension To Check
- * Waterproof Rate: IP67
- * Housing: Nylon+GF, Black
- * Female Pin: Copper Alloy, Gold Plated
- * Screw Nut: Nylon+GF, Black
- * O-Ring: EPDM, Black
- * Cable: UL2464 24AWG*18C+Drain+Al/My, Black, PVC Jacket, UV Resistant, OD=8.0
- * Cable Length Tolerance:
 - 01M: ± 40 mm
 - 02M~05M: ± 60 mm
 - 06M~10M: ± 100 mm
 - 11M~30M: ± 200 mm
 - 31M~99M: ± 500 mm



Pin Assignments Front View

UNIT:mm	
TOLERANCE	± 0.5 mm

TITLE Middle Cable Lock 18Pin F Conn F Pin			
SCALE 1:1	SIZE A4	SHEET 1 OF 1	
REV. D	WC-REV. A.1	$\text{\textcircled{L}}$: Inspection item	

Amphenol LTW
安費諾亮泰企業股份有限公司

ITEM NO	DRAWN BY Vicky	DATE 2014-07-31
DWG NO CU-18AFFM-SL7AXX	CHECKED BY Sam	DATE 2014-07-31
CUSTOMER ALTW	APPROVED BY Rita	DATE 2014-07-31