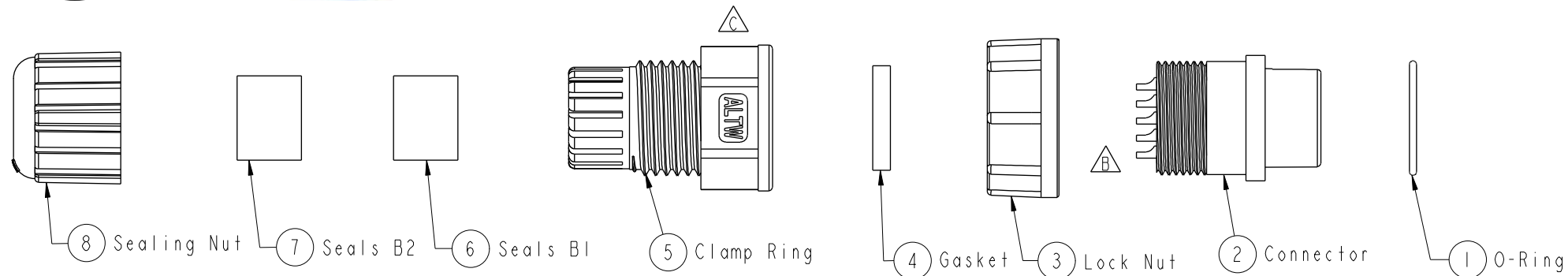
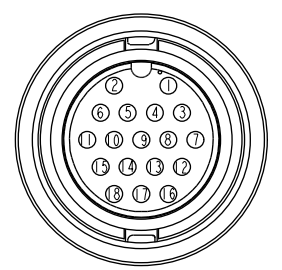


THIS DOCUMENT IS SUBJECT TO CHANGE WITHOUT NOTICE. IT IS CONFIDENTIAL AND A PROPERTY OF Amphenol LTW. DISCLOSURE TO THIRD PARTY HAS TO BE AUTHORIZED BY Amphenol LTW.

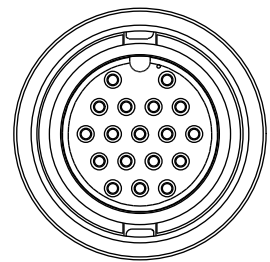
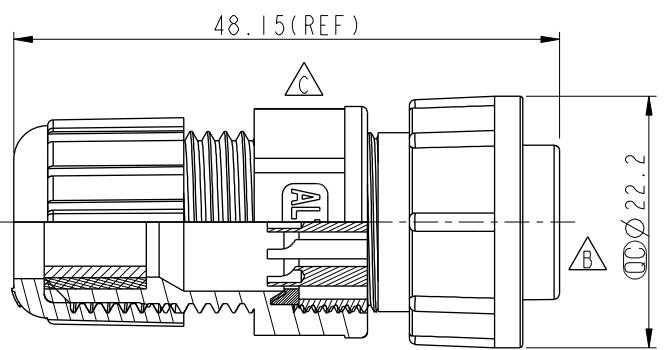
REV.	ECN NO.	DATE	SIGN	DESCRIPTION
B	LEN-0C0138	2010/11/25	IVNA	Change 前導角 View
C	LEN1741326	2017/04/24	Ruru	Change Logo



8 Sealing Nut    7 Seals B2    6 Seals B1    5 Clamp Ring    4 Gasket    3 Lock Nut    2 Connector    1 O-Ring



Pin Assignments  
Front View 前視圖



- Notes:
- \*  $\varnothing$  Important Dimension To Check.
  - \* Waterproof Rate: IP67
  - \* Connector: Nylon+GF, Black
  - \* Female Pin: Copper Alloy, Gold Plated.
  - \* O-Ring: EPDM, Black.
  - \* Lock Nut: Nylon+GF, Black.
  - \* Gasket: Silicone, Black
  - \* Seals: EPDM, Black
  - \* Clamp Ring: Nylon, Black.
  - \* Sealing Nut: Nylon, Black.
  - \* Seals B1 for Cable OD:  $\varnothing 7.6\text{mm} \sim \varnothing 9.6\text{mm}$
  - \* Seals B2 for Cable OD:  $\varnothing 4.0\text{mm} \sim \varnothing 7.6\text{mm}$
  - \* One Set Unassembled in One PE Bag.

UNIT:mm		
TOLERANCE	.X ±0.25	
.XX ±0.1		
.XXX ±0.05		
ANGLES	±1°	

TITLE 18Pin Female Connector Female Pin(2A)			
SCALE 1:1	SIZE A4	SHEET 1 OF 1	
REV. C	WC-REV. A.2	$\varnothing$ : Inspection item	

**Amphenol LTW**  
安費諾亮泰企業股份有限公司

ITEM NO. CU-18BFFA-LL7001	DRAWN BY Ruru	DATE 2017-04-24
DWG NO. CU-18BFFA-LL7001	CHECKED BY Rita	DATE 2017-04-24
CUSTOMER ALTW	APPROVED BY Max	DATE 2017-04-24