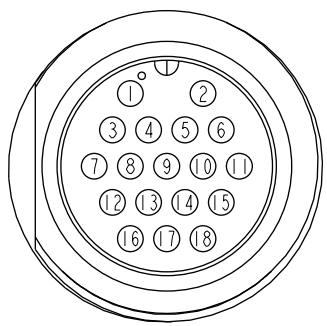
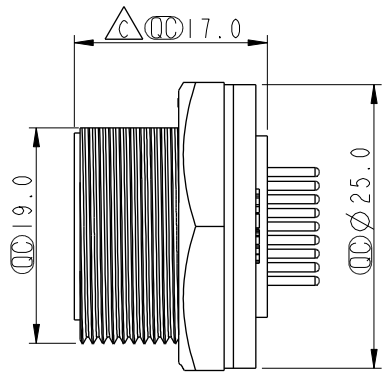
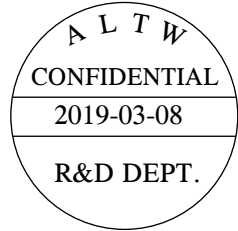


THIS DOCUMENT IS SUBJECT TO CHANGE WITHOUT NOTICE. IT IS CONFIDENTIAL AND A PROPERTY OF Amphenol LTW. DISCLOSURE TO THIRD PARTY HAS TO BE AUTHORIZED BY Amphenol LTW.

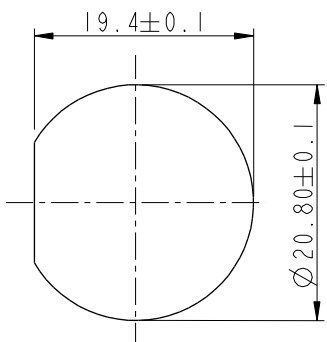
REV.	ECN NO.	DATE	SIGN	DESCRIPTION
D	LEN1760241	2017/06/19	Vicky	Update Logo
E	LEN17A0056	2017/09/30	Mafei	Change The Dimension To 4.6MM
F	CI90310	2019/03/08	Ruru	Modify Note



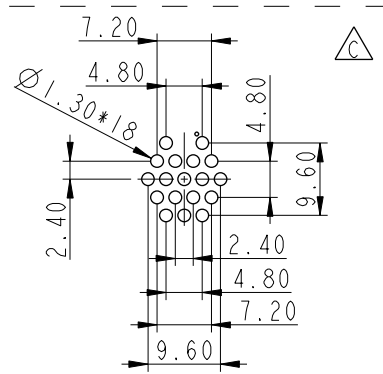
Pin Assignments
Front View



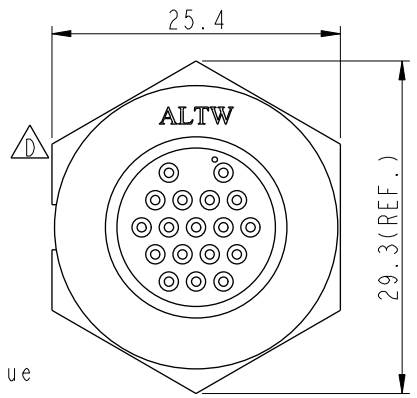
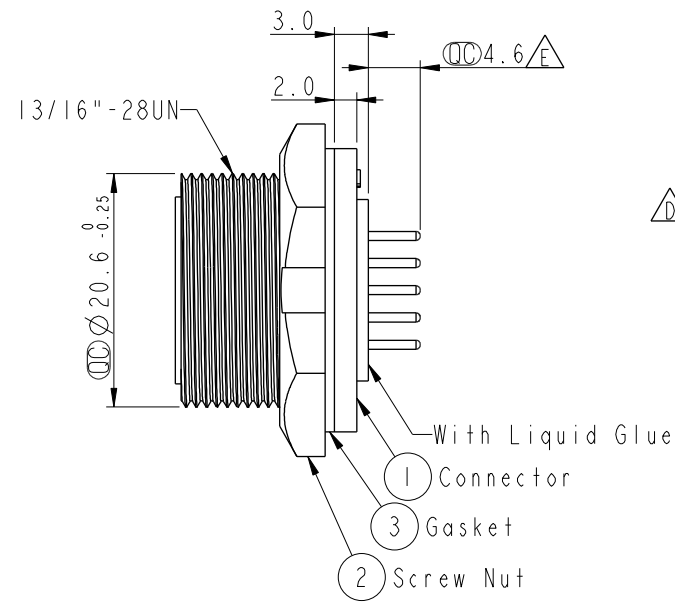
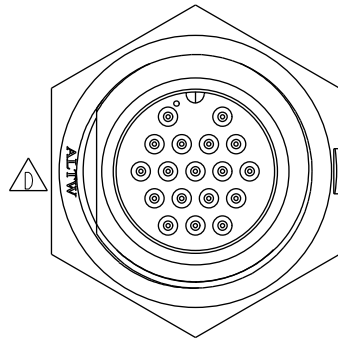
- Note: \triangle
- * CC Important Dimension
 - * Waterproof Rate: IP67, Unmated
 - * Housing: Thermoplastic, Black
 - * Pin: Copper Alloy, Gold Plated
 - * Nut: Thermoplastic, Black
 - * Gasket: Rubber, Black
 - \triangle * Use with waterproof cap or dust cap
Panel Thickness Max: 2.0mm
 - \triangle * Use without waterproof cap or dust cap
Panel Thickness Max: 3.0mm
 - * Gasket and Nut are packed separately in PE bags.



Recommended Panel Cut-Out



18 Pin Male Connector
Male Pin PCB Layout



- ① Connector
 - ② Screw Nut
 - ③ Gasket
- With Liquid Glue

UNIT:mm		
TOLERANCE	.X ±0.25	
.XX ±0.1		
.XXX ±0.05		
ANGLES	±1°	

TITLE 18Pin Male Connector Male Pin			
SCALE 1:1	SIZE A4	SHEET 1 OF 1	
REV. F	WC-REV. A.4	CC : Inspection item	

Amphenol LTW
安費諾亮泰企業股份有限公司

ITEM NO. CU-18PMMP-SC7001	DRAWN BY Ruru	DATE 2019-03-08
DWG NO. CU-18PMMP-SC7001	CHECKED BY Rita	DATE 2019-03-08
CUSTOMER ALTW	APPROVED BY Max	DATE 2019-03-08