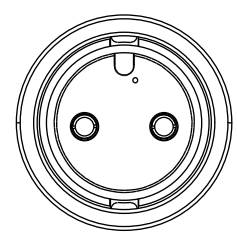
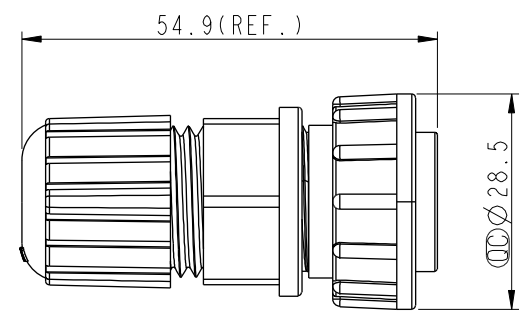
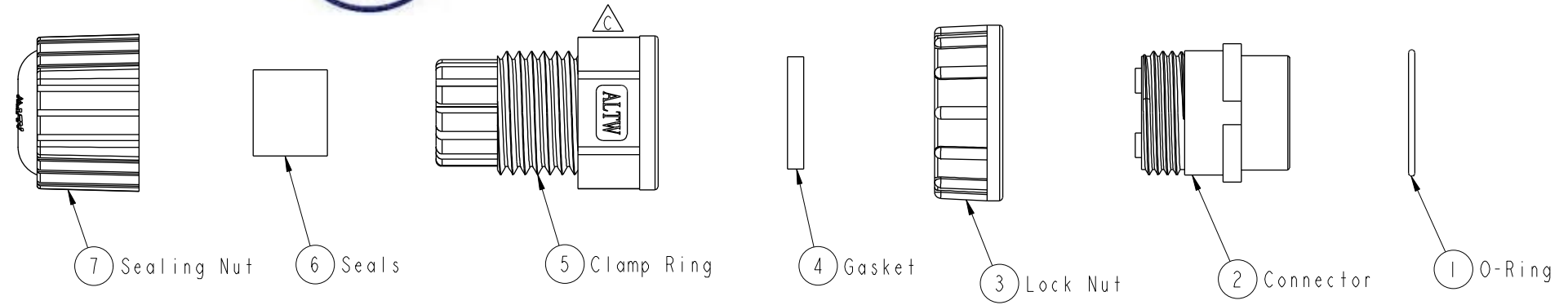
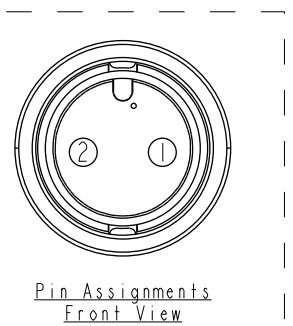


THIS DOCUMENT IS SUBJECT TO CHANGE WITHOUT NOTICE. IT IS CONFIDENTIAL AND A PROPERTY OF AMPHENOL LTW. DISCLOSURE TO THIRD PARTY HAS TO BE AUTHORIZED BY AMPHENOL LTW.

REV.	ECN NO.	DATE	SIGN	DESCRIPTION
B	LEN-870145	2008/07/25	Yuri	Update Drawing
C	LEN1741265	2017/04/20	Vicky	Update Logo



Conn.



Pin Assignments
Front View

- Note:
- * \varnothing Important Dimension
 - * Waterproof Rate: IP67
 - * Housing: Nylon+GF, Black
 - * Female Pin: Copper Alloy, Gold Plated
 - * Lock Nut: Nylon+GF, Black
 - * \triangle Gasket: Silicone, Black
 - * O-Ring: EPDM, Black
 - * Clamp Ring: Nylon, Black
 - * \triangle Seals: EPDM, Black
 - * Sealing Nut: Nylon, Black
 - * Seal For Cable OD: \varnothing 5.5mm~10.8mm
 - * One Set Unassembled In One PE Bag

UNIT:mm	
TOLERANCE	
.X	± 0.25
.XX	± 0.1
.XXX	± 0.05
ANGLES	$\pm 1^\circ$

TITLE Large Assy Lock 2Pin F Conn F Pin			
SCALE 1:1	SIZE A4	SHEET 1 OF 1	
REV. C	WC-REV. A.2	\varnothing : Inspection item	

Amphenol LTW
安費諾亮泰企業股份有限公司

ITEM NO. DC-02BFFA-LL7001	DRAWN BY Vicky	DATE 2017-04-20
DWG NO. DC-02BFFA-LL7001	CHECKED BY Rita	DATE 2017-04-20
CUSTOMER ALTW	APPROVED BY Max	DATE 2017-04-20