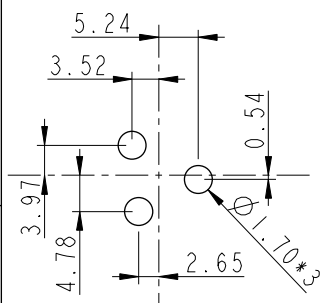
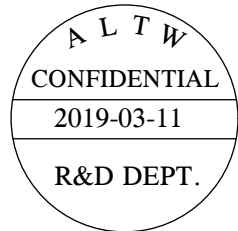
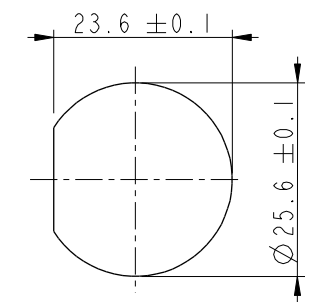


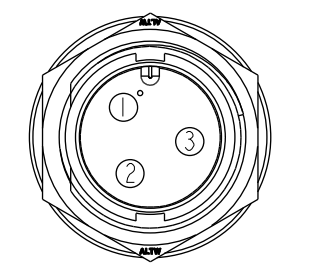
REV.	ECN NO.	DATE	SIGN	DESCRIPTION
B	LEN-8A0180	2008/09/15	Shin	Add Notes
C	LEN1740940	2017/04/10	Vicky	Update Logo
D	CI90310	2019/03/11	Ruru	Modify Note



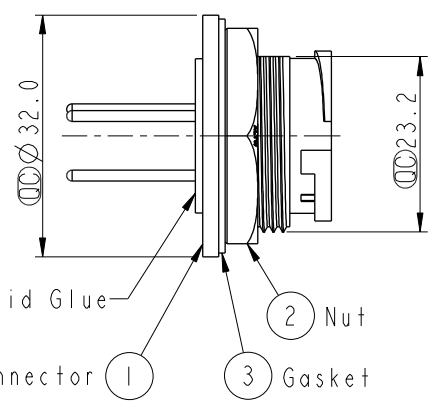
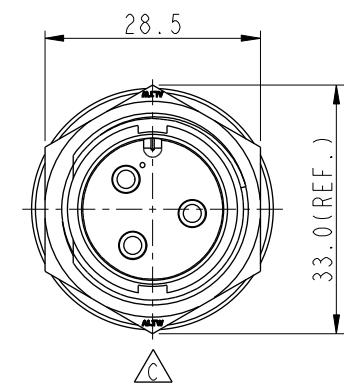
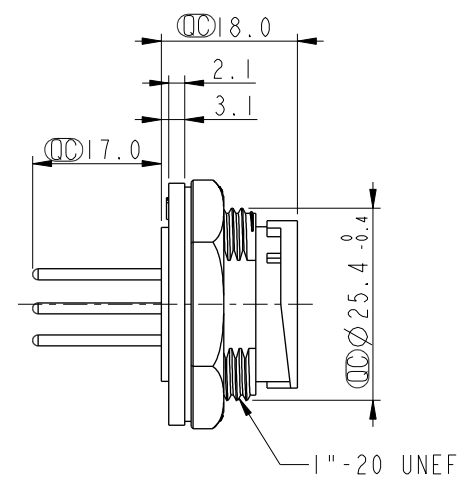
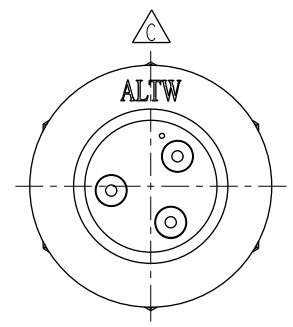
3Pin Male Connector Male Pin PCB Layout



Recommended Panel Cut-Out



Pin Assignments Front View



With Liquid Glue
Connector (1) Nut (2) Gasket (3)

- Note:
- * Important Dimension
 - * Waterproof Rate: IP67, Unmated
 - * Housing: Thermoplastic, Black
 - * Pin: Copper Alloy, Gold Plated
 - * Nut: Thermoplastic, Black
 - * Gasket: Rubber, Black
 - * Use Waterproof Cap or Dust Cap
Panel Thickness Max: 3.0mm
 - * Use without Waterproof Cap or Dust Cap
Panel Thickness Max: 4.0mm
 - * Gasket and Nut are packed separately in PE bags.

UNIT:mm		
TOLERANCE	.X ±0.25	
	.XX ±0.1	
	.XXX ±0.05	
ANGLES	±1°	

TITLE Lock Type Connector For Panel Mount 3Pin Male Connector Male Pin(20A)			
SCALE 1:1	SIZE A4	SHEET 1 OF 1	
REV. D	WC-REV. A.3	: Inspection item	

Amphenol LTW
安費諾亮泰企業股份有限公司

ITEM NO DC-03PMMP-LC7001	DRAWN BY Ruru	DATE 2019-03-11
DWG NO DC-03PMMP-LC7001	CHECKED BY Rita	DATE 2019-03-11
CUSTOMER ALTW	APPROVED BY Max	DATE 2019-03-11

THIS DOCUMENT IS SUBJECT TO CHANGE WITHOUT NOTICE. IT IS CONFIDENTIAL AND A PROPERTY OF AMPHENOL LTW. DISCLOSURE TO THIRD PARTY HAS TO BE AUTHORIZED BY AMPHENOL LTW.