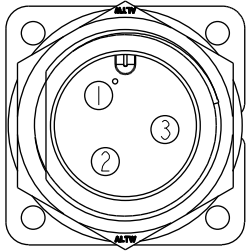
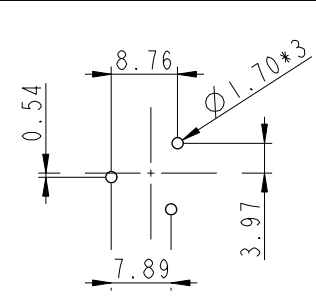
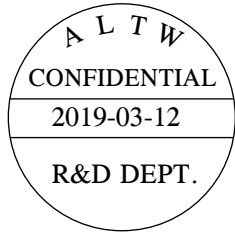
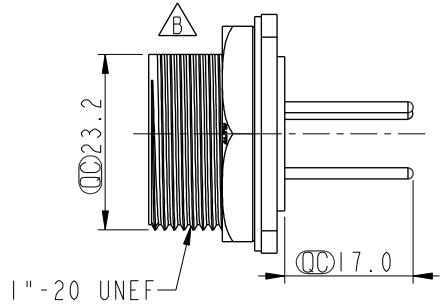


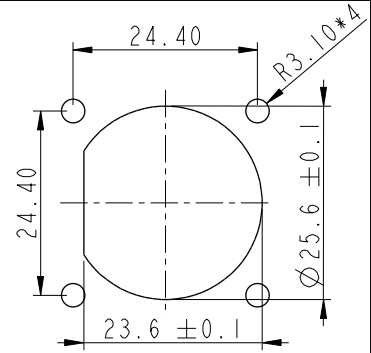
REV.	ECN NO.	DATE	SIGN	DESCRIPTION
C	LEN1730316	2017/03/21	Vicky	Update Logo
D	LEN1840079	2018/04/14	Ethan	Modify Panel Thickness
E	CI90310	2019/03/12	Ruru	Modify Note



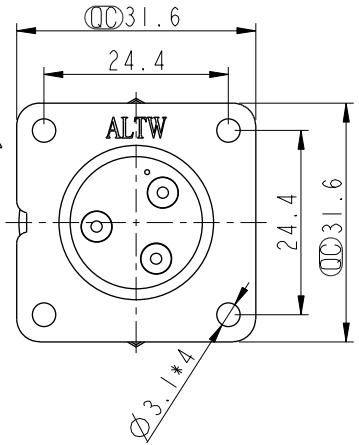
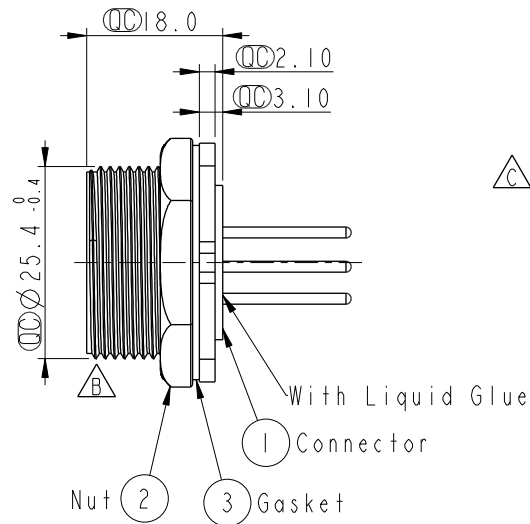
Pin Assignments
Front View



3Pin Male Connector
Male Pin PCB Layout
3Pin 公接頭
PCB挖孔位置尺寸圖



Recommended
Panel Cut-Out



- Note:
- * Important Dimension
 - * Waterproof Rate: IP67, Unmated
 - * Housing: Thermoplastic, Black
 - * Pin: Copper Alloy, Gold Plated
 - * Nut: Thermoplastic, Black
 - * Gasket: Rubber, Black
 - * Use Waterproof Cap or Dust Cap
Panel Thickness Max: 1.8mm
 - * Use without Waterproof Cap or Dust Cap
Panel Thickness Max: 3.0mm
 - * Gasket and Nut are packed separately in PE bags.

UNIT: mm		
TOLERANCE		
.X	±0.25	
.XX	±0.1	
.XXX	±0.05	
ANGLES	±1°	

TITLE Screw Type Connector For Panel Mount 3Pin Male Connector Male Pin(20A)			
SCALE	SIZE	SHEET	OF
1:1	A4	1	1
REV.	WC-REV.	: Inspection item	
E	A.3		

Amphenol LTW
安費諾亮泰企業股份有限公司

ITEM NO	DC-03PMMP-SS7001	DRAWN BY	Ruru	DATE	2019-03-12
DWG NO	DC-03PMMP-SS7001	CHECKED BY	Rita	DATE	2019-03-12
CUSTOMER	ALTW	APPROVED BY	Max	DATE	2019-03-12

THIS DOCUMENT IS SUBJECT TO CHANGE WITHOUT NOTICE. IT IS CONFIDENTIAL AND A PROPERTY OF Amphenol LTW. DISCLOSURE TO THIRD PARTY HAS TO BE AUTHORIZED BY Amphenol LTW.