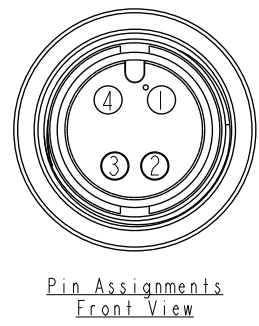
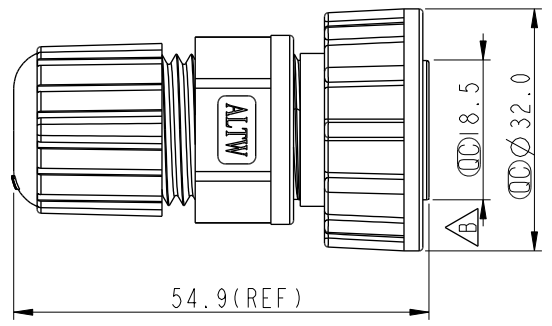
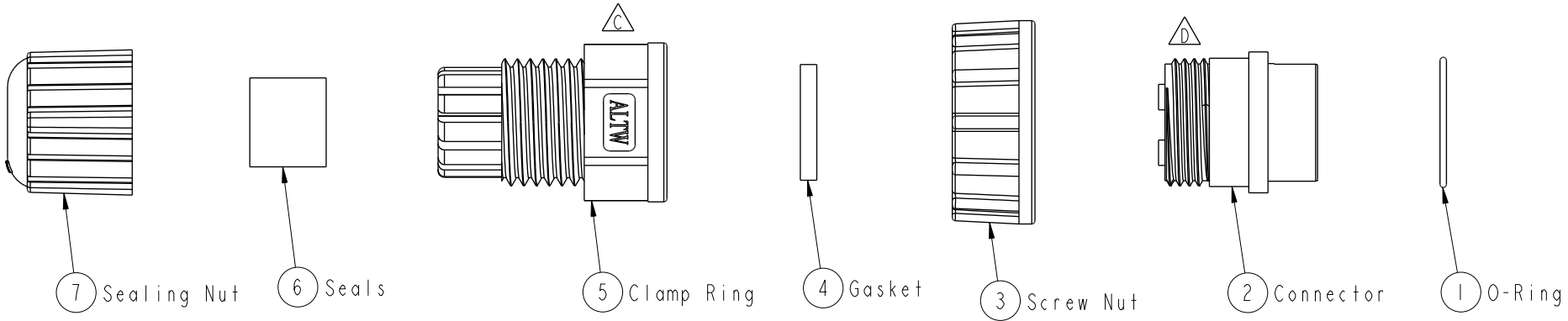


THIS DOCUMENT IS SUBJECT TO CHANGE WITHOUT NOTICE. IT IS CONFIDENTIAL AND A PROPERTY OF Amphenol LTW. DISCLOSURE TO THIRD PARTY HAS TO BE AUTHORIZED BY Amphenol LTW.

REV.	ECN NO.	DATE	SIGN	DESCRIPTION
B	LEN-890062	2008/09/05	Li Xiu Zhi	Change 18.0±0.25 To 18.5
C	LEN1741277	2017/04/20	Vicky	Update Logo
D	C200915	2020/06/17	Ruru	$\triangle D$ X3



ALTW
 CONFIDENTIAL
 2020-06-17
 R&D DEPT.

- $\triangle D$ Note:
- * $\text{\textcircled{C}}$ Important Dimension
 - * Waterproof Rate: IP67
 - * Housing: Thermoplastic, Black
 - * Female Pin: Copper Alloy, Gold Plated
 - * O-Ring: Rubber, Black
 - * Screw Nut: Thermoplastic, Black
 - * Gasket: Rubber, Black
 - * Clamp Ring: Thermoplastic, Black
 - * Seals: Rubber, Black
 - * Sealing Nut: Thermoplastic, Black
 - * Seal For Cable OD: $\varnothing 5.5\text{mm} \sim 10.8\text{mm}$
 - * One Set Unassembled In One PE Bag

UNIT: mm

TOLERANCE $\triangle B$

±0.5mm

TITLE 0 CERES, D-20A, 04P, CABLE W/O SR F, F, FI SOLDER, SCREW $\triangle B$ $\triangle D$			
SCALE 1:1	SIZE A4	SHEET 1 OF 1	
REV. D	WC-REV. A.4	$\text{\textcircled{C}}$: Inspection item	

Amphenol LTW

安費諾亮泰企業股份有限公司

ITEM NO. DC-04BFFA-SL7001	DRAWN BY Vicky	DATE 2017-04-20
DWG NO. DC-04BFFA-SL7001	CHECKED BY Rita	DATE 2017-04-20
CUSTOMER ALTW	APPROVED BY Max	DATE 2017-04-20