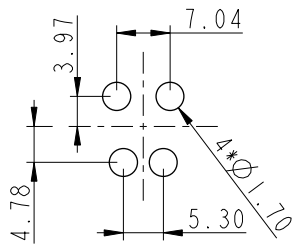
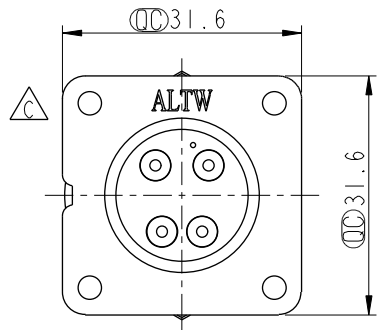
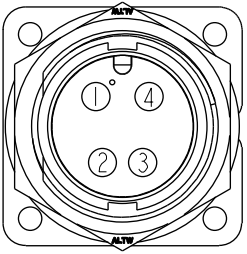
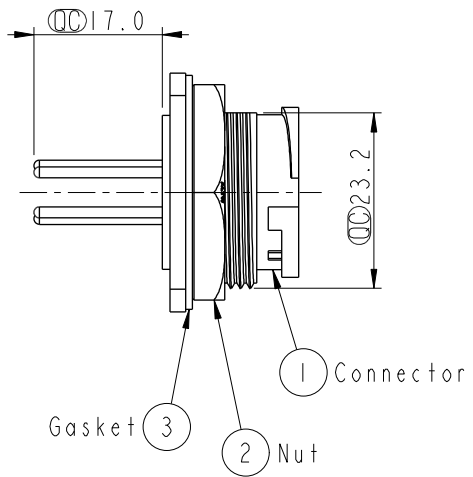
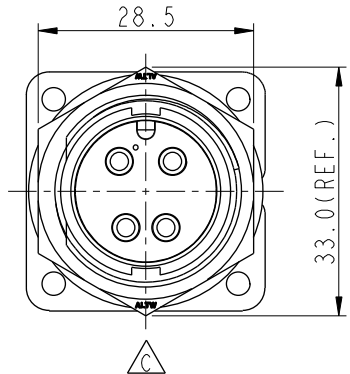
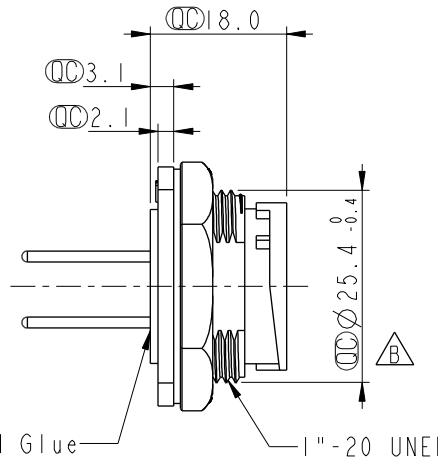


THIS DOCUMENT IS SUBJECT TO CHANGE WITHOUT NOTICE. IT IS CONFIDENTIAL AND A PROPERTY OF Amphenol LTW. DISCLOSURE TO THIRD PARTY HAS TO BE AUTHORIZED BY Amphenol LTW.

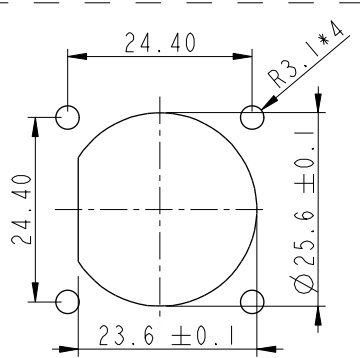
REV.	ECN NO.	DATE	SIGN	DESCRIPTION
B	LEN-8A0186	2008/09/15	Shin	Add Notes
C	LEN1740952	2017/04/11	Vicky	Update Logo
D	CI90310	2019/03/11	Ruru	Modify Note



PCB Layout



Pin Assignments Front View



Recommended Panel Cut-Out

- Note:
- * Important Dimension
 - * Waterproof Rate: IP67, Unmated
 - * Housing: Thermoplastic, Black
 - * Pin: Copper Alloy, Gold Plated
 - * Nut: Thermoplastic, Black
 - * Gasket: Rubber, Black
 - * Use Waterproof Cap or Dust Cap
Panel Thickness Max: 3.0mm
 - * Use without Waterproof Cap or Dust Cap
Panel Thickness Max: 4.0mm
 - * Gasket and Nut are packed separately in PE bags

UNIT:mm TOLERANCE .X ±0.25 .XX ±0.1 .XXX ±0.05 ANGLES ±1°	TITLE Large Panel Lock 4Pin M Conn M Pin		Amphenol LTW 安費諾亮泰企業股份有限公司		ITEM NO DC-04PMMP-LS7001	DRAWN BY Ruru	DATE 2019-03-11
	SCALE 1:1	SIZE A4			SHEET 1 OF 1	DWG NO DC-04PMMP-LS7001	CHECKED BY Rita
	REV. D	WC-REV. A.3	: Inspection item	CUSTOMER ALTW	APPROVED BY Max	DATE 2019-03-11	
				6	7	8	WI0814-03-01A2