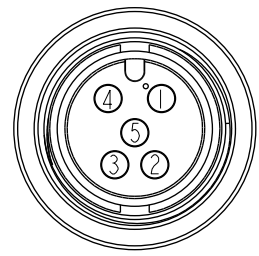
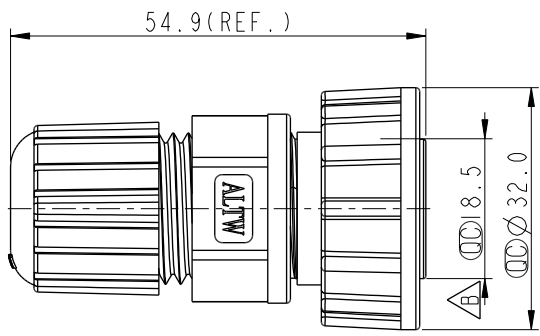
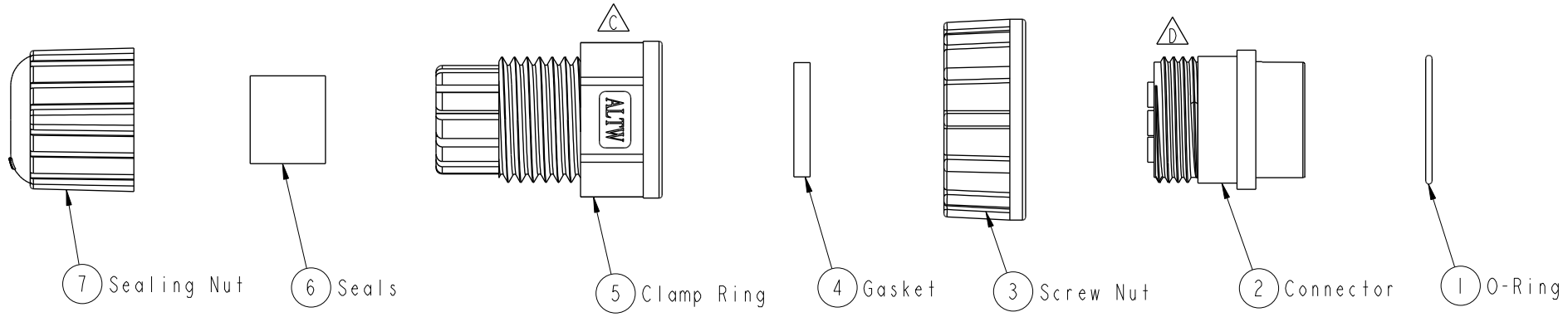


THIS DOCUMENT IS SUBJECT TO CHANGE WITHOUT NOTICE. IT IS CONFIDENTIAL AND A PROPERTY OF Amphenol LTW. DISCLOSURE TO THIRD PARTY HAS TO BE AUTHORIZED BY Amphenol LTW.


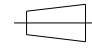
REV.	ECN NO.	DATE	SIGN	DESCRIPTION
B	LEN-890063	2008/09/05	Li Xiu Zhi	Change 18.0±0.25 To 18.5
C	LEN1741279	2017/04/20	Vicky	Update Logo
D	C200914	2020/06/16	Ruru	$\triangle D$ X3



Pin Assignments
Front View



- $\triangle D$ Note:
- * CC Important Dimension
 - * Waterproof Rate: IP67
 - * Housing: Thermoplastic, Black
 - * Female Pin: Copper Alloy, Gold Plated
 - * O-Ring: Rubber, Black
 - * Screw Nut: Thermoplastic, Black
 - * Gasket: Rubber, Black
 - * Clamp Ring: Thermoplastic, Black
 - * Seals: Rubber, Black
 - * Sealing Nut: Thermoplastic, Black
 - * Seal For Cable OD: $\varnothing 5.5\text{mm}-10.8\text{mm}$
 - * One Set Unassembled In One PE Bag

UNIT:mm  
TOLERANCE $\pm 0.5 \text{ mm}$

TITLE O CERES, D-20A, 05P, CABLE W/O SR F, F, FI SOLDER, SCREW $\triangle B$ $\triangle D$			
SCALE 1:1	SIZE A4	SHEET 1 OF 1	
REV. D	WC-REV. A.3	CC : Inspection item	

Amphenol LTW
安費諾亮泰企業股份有限公司

ITEM NO. DC-05BFFA-SL7001	DRAWN BY Vicky	DATE 2017-04-20
DWG NO. DC-05BFFA-SL7001	CHECKED BY Rita	DATE 2017-04-20
CUSTOMER ALTW	APPROVED BY Max	DATE 2017-04-20