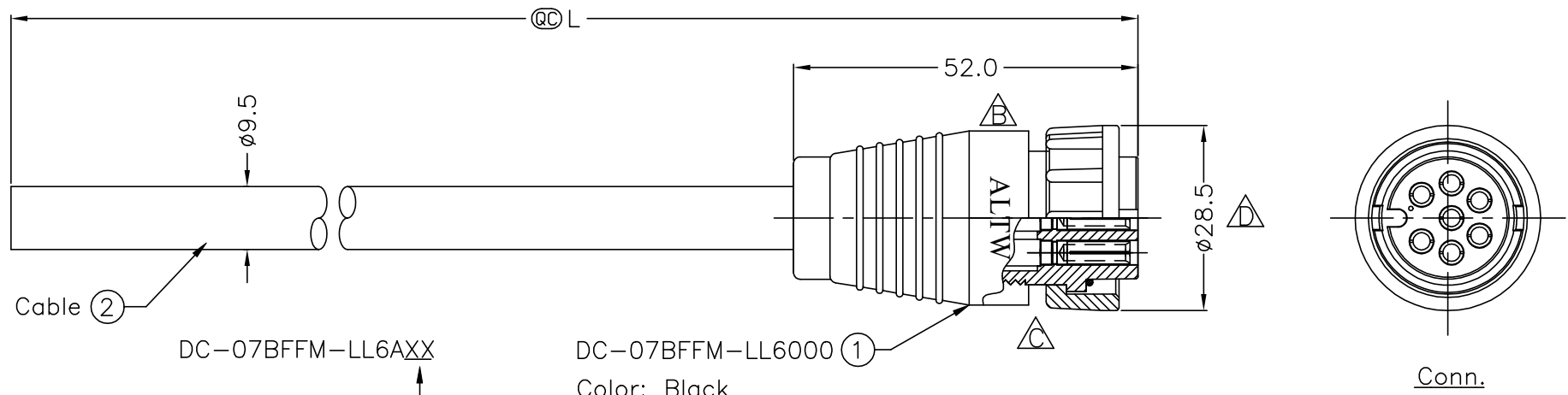
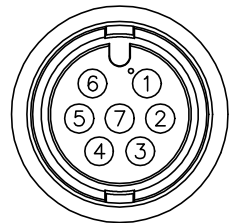


REV.	ECN NO.	DATE	SIGN	DESCRIPTION
B	LEN1380290~293	2013/08/20	Ruru	Change Logo & Modify Note
C	C200914	2020/06/16	Ruru	△ X3
D	C210170	2021/01/26	Ruru	△ X1



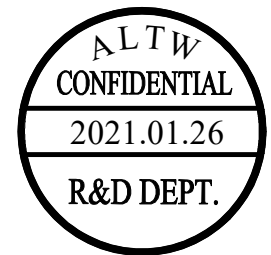
DC-07BFFM-LL6AXX
 XX:01~99Meter
 Q1:01Meter
 Q2:02Meters
 ...
 99:99Meters
 Cable Length(L):01~99 Meter

- △ Note:
- * @Q Important Dimension.
 - * Waterproof Rate: IP66
 - * Housing: Thermoplastic, Black
 - * Female Pin: Copper Alloy, Gold Plated
 - * Ring: Rubber, Black
 - * Lock Nut: Thermoplastic, Black
 - * Cable: UL2464 16AWG*7C+D+AL/My
 UV Resistant OD=9.5mm, Black
 - * Cable Length Tolerance: 01M:40mm
 02M~05M:60mm
 06M~10M:100mm
 11M~30M:200mm
 31M~99M:500mm



Pin Assignments
 Front View 前視圖

Red	紅	7
Gray	灰	6
Yellow	黃	5
Green	綠	4
White	白	3
Blue	藍	2
Brown	棕	1
Wire Color		Conn.
Pin Out		



UNIT:mm		TITLE 0 CERES, D-20A, 07P, CABLE W/O SR F, F, MOLDING, 2LOCK
TOLERANCE ±0.5 mm	SCALE 1 : 1	SHEET 1 OF 1
REV. D	SIZE A4	@Q :Inspection Item

Amphenol LTW
 安費諾亮泰企業股份有限公司

ITEM NO	DRAWN BY Ruru	DATE 2013/08/20
DWG NO DC-07BFFM-LL6AXX	CHECKED BY Vicky	DATE 2013/08/20
CUSTOMER ALTW	APPROVED BY Rita	DATE 2013/08/20

THIS DOCUMENT IS SUBJECT TO CHANGE WITHOUT NOTICE. IT IS CONFIDENTIAL AND A PROPERTY OF Amphenol LTW. DISCLOSURE TO THIRD PARTY HAS TO BE AUTHORIZED BY Amphenol LTW.