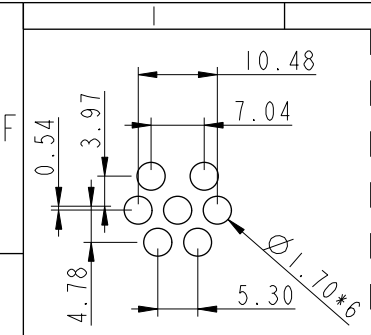
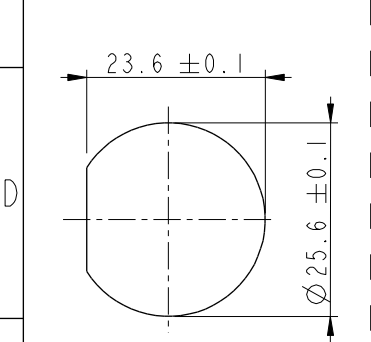


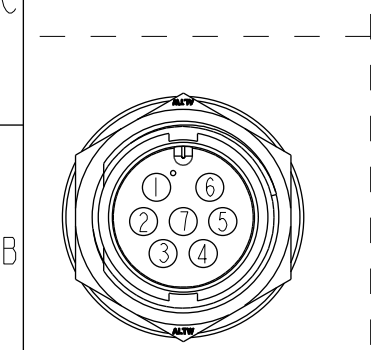
REV.	ECN NO.	DATE	SIGN	DESCRIPTION
B	LEN-8A0197	2008/09/15	Shin	Add Notes
C	LEN1740944	2017/04/11	Vicky	Update Logo
D	CI90314	2019/03/12	Ruru	Modify Note



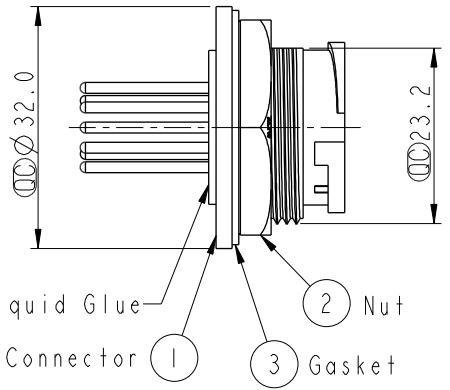
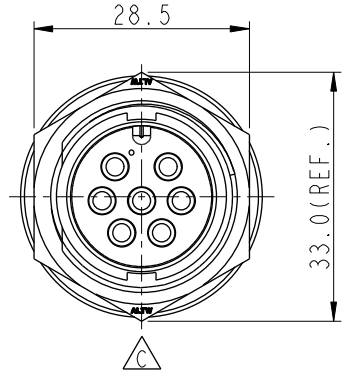
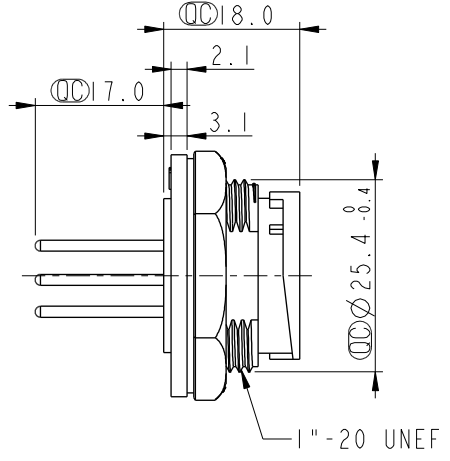
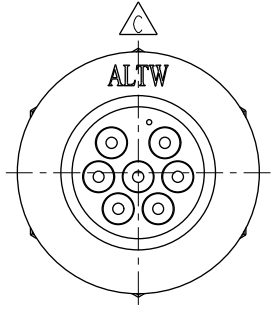
5Pin Male Connector  
Male Pin PCB Layout



Recommended  
Panel Cut-Out



Pin Assignments  
Front View



- Note:
- \* Important Dimension
  - \* Waterproof Rate: IP67, Unmated
  - \* Housing: Thermoplastic, Black
  - \* Pin: Copper Alloy, Gold Plated
  - \* Nut: Thermoplastic, Black
  - \* Gasket: Rubber, Black
  - \* Use Waterproof Cap or Dust Cap  
Panel Thickness Max: 3.0mm
  - \* Use without Waterproof Cap or Dust Cap  
Panel Thickness Max: 4.0mm
  - \* Gasket and Nut are packed separately in PE bags.

UNIT:mm	
TOLERANCE	
.X	±0.25
.XX	±0.1
.XXX	±0.05
ANGLES	±1°

TITLE Lock Type Connector For Panel Mount 7Pin Male Connector Male Pin(20A)			
SCALE 1:1	SIZE A4	SHEET 1 OF 1	
REV. D	WC-REV. A.3	: Inspection item	

**Amphenol LTW**  
安費諾亮泰企業股份有限公司

ITEM NO DC-07PMMP-LC7001	DRAWN BY Ruru	DATE 2019-03-12
DWG NO DC-07PMMP-LC7001	CHECKED BY Rita	DATE 2019-03-12
CUSTOMER ALTW	APPROVED BY Max	DATE 2019-03-12

THIS DOCUMENT IS SUBJECT TO CHANGE WITHOUT NOTICE. IT IS CONFIDENTIAL AND A PROPERTY OF Amphenol LTW. DISCLOSURE TO THIRD PARTY HAS TO BE AUTHORIZED BY Amphenol LTW.