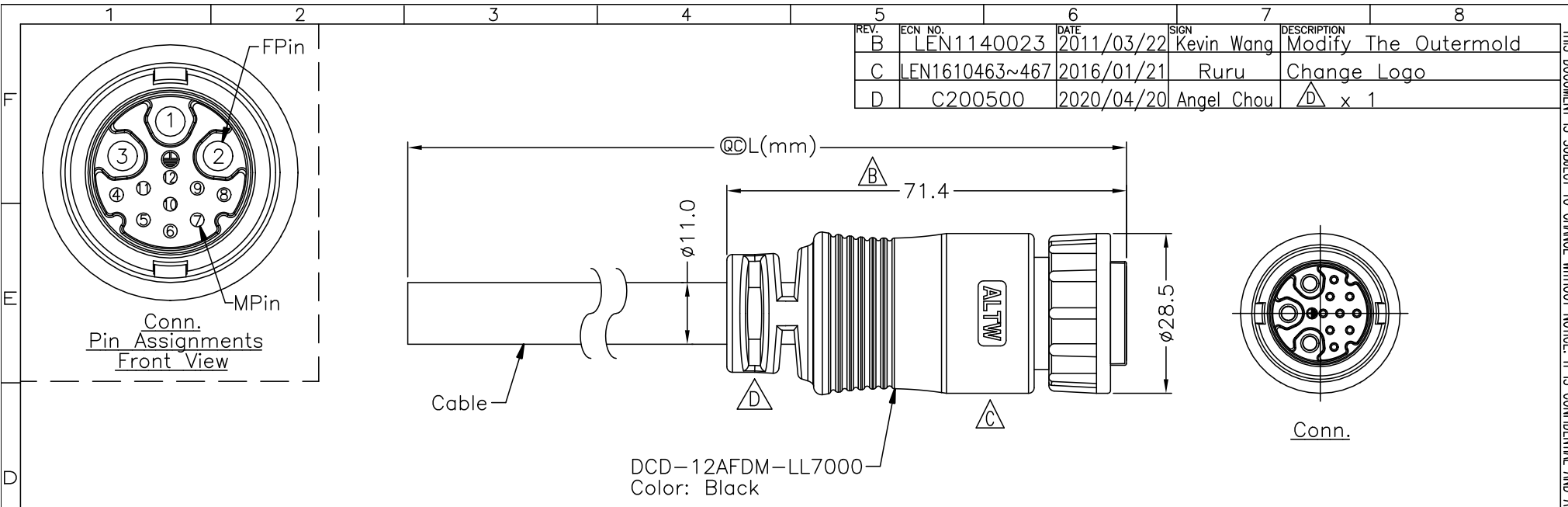


5	6	7	8
REV.	ECN NO.	DATE	SIGN
B	LEN1140023	2011/03/22	Kevin Wang
C	LEN1610463~467	2016/01/21	Ruru
D	C200500	2020/04/20	Angel Chou
DESCRIPTION			
Modify The Outermold			
Change Logo			
△ x 1			

THIS DOCUMENT IS SUBJECT TO CHANGE WITHOUT NOTICE. IT IS CONFIDENTIAL AND A PROPERTY OF Amphenol LTW. DISCLOSURE TO THIRD PARTY HAS TO BE AUTHORIZED BY Amphenol LTW.



12	Drain	地線	(24AWG)	Twist 對線
11	Brown	棕	(24AWG)	
10	Black	黑	(24AWG)	
9	Gray	灰	(24AWG)	Twist 對線
8	Blue	藍	(24AWG)	
7	Green	綠	(24AWG)	Twist 對線
6	Yellow	黃	(24AWG)	
5	White	白	(24AWG)	
4	Red	紅	(24AWG)	Twist 對線
3	Blue	藍	(16AWG)	
2	Brown	棕	(16AWG)	
1	Green/Yellow	綠/黃	(16AWG)	
Conn.	Wire Color			
	Pin Out			

DCD-12AFDM-LL7AXX
 ↑
 XX:01~99Meter
 01:01Meter
 02:02Meters
 ∴
 99:99Meters
 Cable Length(L):01~99Meters

- Note:
- * @C Important Dimension.
 - * Waterproof Rate: IP67
 - * Connector: Nylon+GF, Black
 - * Pin: Copper Alloy, Gold Plated
 - * Cable: UL2464 (24AWG*4P+D+AL/MY)+16AWG*3C+F+P, PVC Jacket, UV Resistant, OD=11.0mm, Black
 - * Cable Length Tolerance: 01M±40mm
 02M~05M:±60mm
 06M~10M:±100mm
 11M~30M:±200mm
 31M~99M:±500mm

UNIT:mm		TITLE	ITEM NO	DRAWN BY	DATE
TOLERANCE	±0.5 mm	Cable Connector 180° FConn 3FPin(20A)+9MPin(5A)	DWG NO	Ruru	2016/01/21
		SCALE Free SHEET 1 OF 1	DCD-12AFDM-LL7AXX	CHECKED BY	DATE
		REV. D SIZE A4 @C :Inspection Item	CUSTOMER	Rita	2016/01/21
			ALTW	APPROVED BY	DATE
				Lisa	2016/01/21

Amphenol LTW
 安費諾亮泰企業股份有限公司