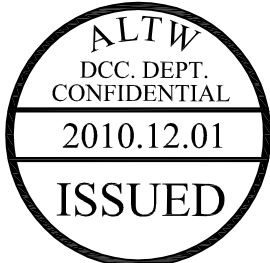
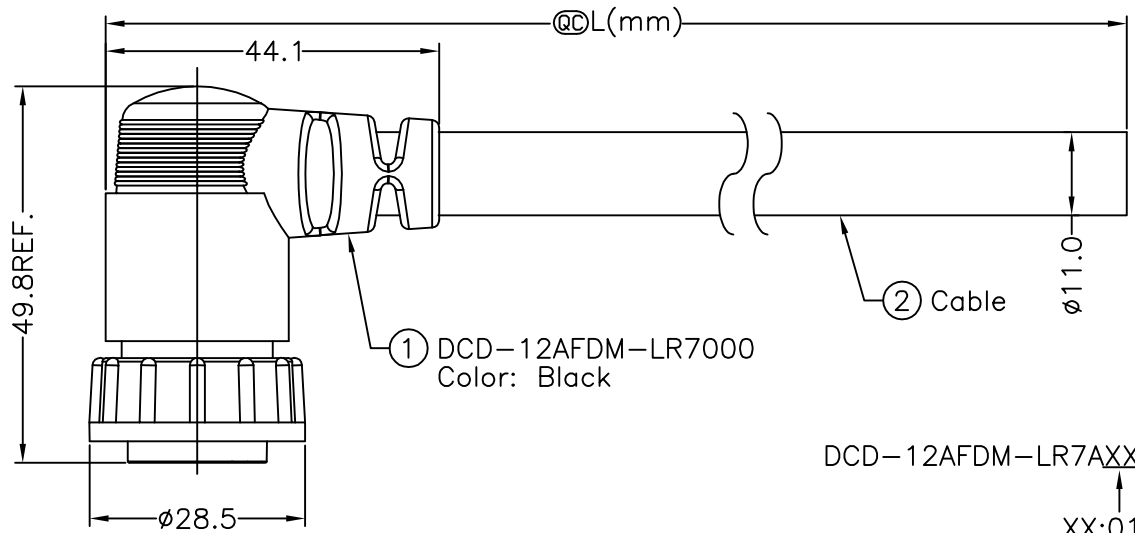
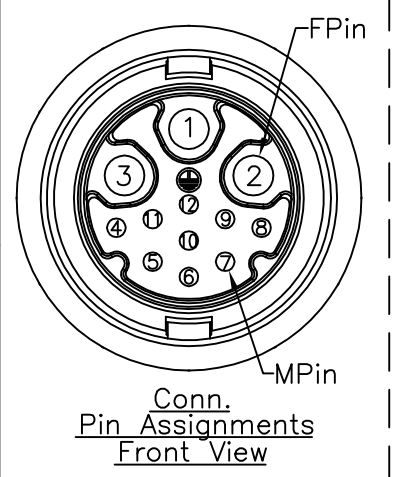


|        |                       |                 |          |                      |
|--------|-----------------------|-----------------|----------|----------------------|
| REV. A | ECN NO. LTD-000003336 | DATE 2010/12/01 | SIGN Ann | DESCRIPTION NEW ITEM |
|        |                       |                 |          |                      |
|        |                       |                 |          |                      |

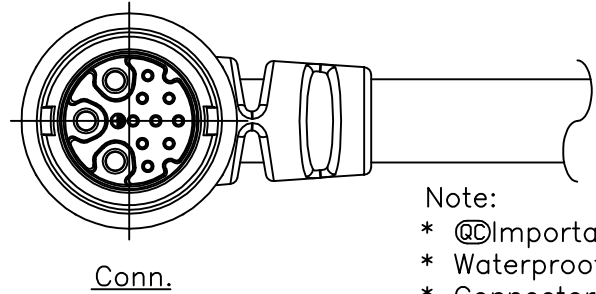
THIS DOCUMENT IS SUBJECT TO CHANGE WITHOUT NOTICE. IT IS CONFIDENTIAL AND A PROPERTY OF Amphenol LTW. DISCLOSURE TO THIRD PARTY HAS TO BE AUTHORIZED BY Amphenol LTW.



DCD-12AFDM-LR7A~~XX~~

XX:01~99Meter  
 01:01Meter  
 02:02Meters  
 ...  
 99:99Meters

Cable Length(L):01~99Meters



|       |              |     |         |             |
|-------|--------------|-----|---------|-------------|
| 12    | Drain        | 地線  | (24AWG) | Twist<br>對線 |
| 11    | Brown        | 棕   | (24AWG) |             |
| 10    | Black        | 黑   | (24AWG) | Twist<br>對線 |
| 9     | Gray         | 灰   | (24AWG) |             |
| 8     | Blue         | 藍   | (24AWG) | Twist<br>對線 |
| 7     | Green        | 綠   | (24AWG) |             |
| 6     | Yellow       | 黃   | (24AWG) | Twist<br>對線 |
| 5     | White        | 白   | (24AWG) |             |
| 4     | Red          | 紅   | (24AWG) | Twist<br>對線 |
| 3     | Blue         | 藍   | (16AWG) |             |
| 2     | Brown        | 棕   | (16AWG) | Twist<br>對線 |
| 1     | Green/Yellow | 綠/黃 | (16AWG) |             |
| Conn. | Wire Color   |     |         |             |
|       | Pin Out      |     |         |             |

- Note:
- \* @C Important Dimension To Check.
  - \* Waterproof Rate: IP67
  - \* Connector: Nylon+GF, Black
  - \* Pin: Copper Alloy, Gold Plated
  - \* Cable: UL2464 (24AWG\*4P+D+AL/MY)+16AWG\*3C+F+P, Black, PVC Jacket, UV Resistant, OD=11.0mm.
  - \* Cable Length Tolerance: 01M±40mm  
 02M~05M:±60mm  
 06M~10M:±100mm  
 11M~30M:±200mm  
 31M~99M:±500mm

|                      |               |   |                      |   |                     |                    |
|----------------------|---------------|---|----------------------|---|---------------------|--------------------|
| UNIT:mm              |               | TITLE<br>Cable Connector 90°<br>FConn FPin(20A)+9MPin(5A) | <b>Amphenol LTW</b>  | ITEM NO                                 | DRAWN BY<br>Enoch   | DATE<br>2009/12/30 |
| TOLERANCE<br>±0.5 mm | SCALE<br>Free | SHEET<br>1 OF 1   | <b>安費諾亮泰企業股份有限公司</b> | DWG NO<br>DCD-12AFDM-LR7A <del>XX</del> | CHECKED BY<br>Jimmy | DATE<br>2009/12/30 |
|                      | REV. A        | SIZE A4   | @C :Inspection Item  | CUSTOMER<br>ALTW                        | APPROVED BY<br>Win  | DATE<br>2009/12/30 |