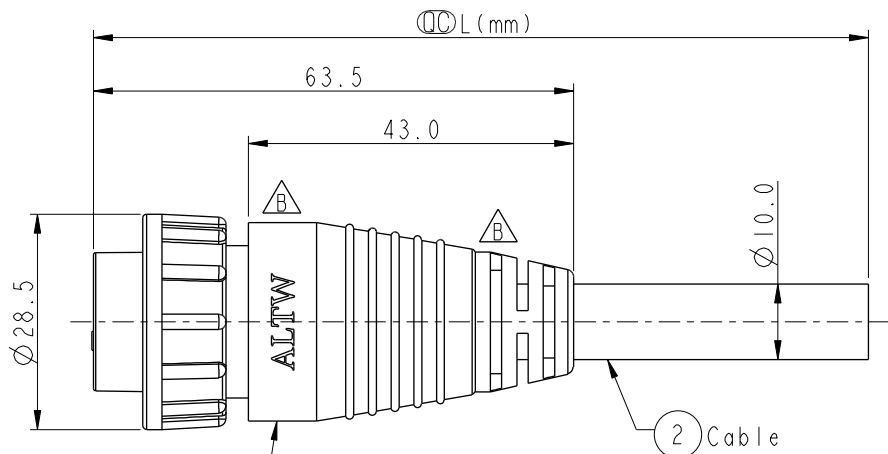
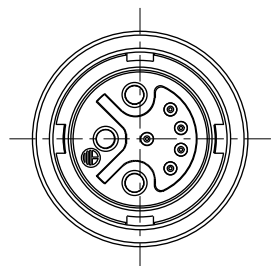
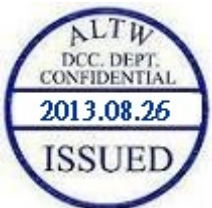
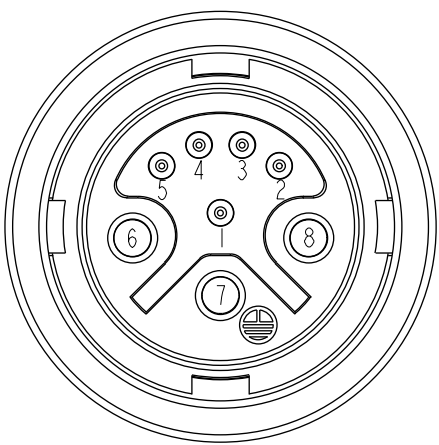


REV.	ECN NO.	DATE	SIGN	DESCRIPTION
B	LEN1380137-140	2013/08/07	Ruru	Modify the SR & Tolerance & Change Logo



DCU-08AFDM-LL7000

DCU-08AFDM-LL7BXX  
 XX:01~99Meter  
 01:01Meter  
 02:02Meters  
 ...  
 99:99Meters  
 Cable Length(L):01~99Meters



Conn.  
Pin Assignments  
Front View

8	Brown	16AWG	棕	Twist
7	Green/Yellow	16AWG	綠/黃	
6	Blue	16AWG	藍	Twist
5	Red	24AWG	紅	
4	Green	24AWG	綠	Twist
3	White	24AWG	白	
2	Blue	24AWG	藍	Twist
1	Drain		地線	
Conn.	Wire Color		Pin Out	

Note:  
 \*  $\varnothing$  Important Dimension To Check  
 \* Waterproof Rate: IP67  
 \* Connector: Nylon+GF, UL94V-0, Black  
 \* Pin: Copper Alloy, Gold Plated  
 \* O-Ring: Silicone, Gray  
 \* Lock Nut: Nylon+GF, Black  
 \* Cable: UL2586 (24#\*1P+A)\*2C+16#\*3C+Drain+Al/Mylar, PVC Jacket, UV Resistant, OD= $\varnothing$ 10.0mm, Black  
 \* Cable Length Tolerance: 01M $\pm$ 40mm  
 02M~05M: $\pm$ 60mm  
 06M~10M: $\pm$ 100mm  
 11M~30M: $\pm$ 200mm  
 31M~99M: $\pm$ 500mm

A	UNIT:mm		TITLE Large Size, Lock Type FConn. 3FPin(20A)+5MPin(2A)		ITEM NO		DRAWN BY	DATE
	TOLERANCE	$\pm 0.5$ mm	SCALE 1:1	SIZE A4	SHEET 1	OF 1	Ruru	2013-08-20
			REV. B	WC-REV. B.2	$\varnothing$ : Inspection item		DCU-08AFDM-LL7BXX	2013-08-20
				Amphenol LTW 安費諾亮泰企業股份有限公司		ALTW	Checked BY Rita	DATE 2013-08-20
							APPROVED BY Maslow	DATE 2013-08-20

THIS DOCUMENT IS SUBJECT TO CHANGE WITHOUT NOTICE. IT IS CONFIDENTIAL AND A PROPERTY OF AMPHENOL LTW. DISCLOSURE TO THIRD PARTY HAS TO BE AUTHORIZED BY AMPHENOL LTW.