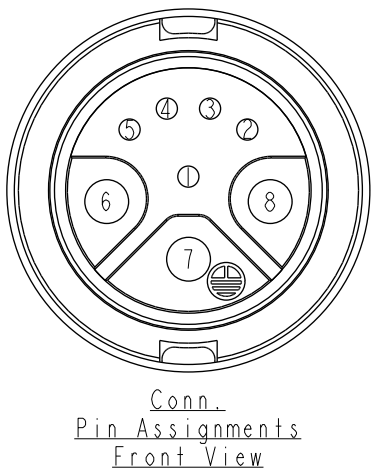
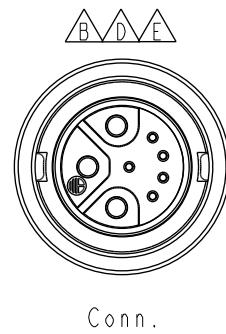
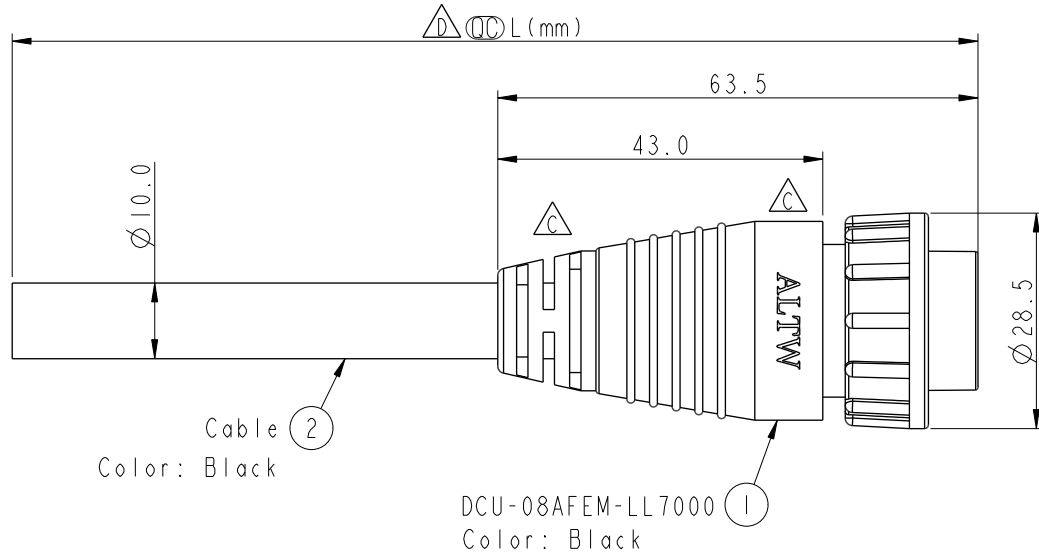


THIS DOCUMENT IS SUBJECT TO CHANGE WITHOUT NOTICE. IT IS CONFIDENTIAL AND A PROPERTY OF Amphenol LTW. DISCLOSURE TO THIRD PARTY HAS TO BE AUTHORIZED BY Amphenol LTW.

REV.	ECN NO.	DATE	SIGN	DESCRIPTION
C	LEN1380143-146	2013-08-08	Ruru	Modify the SR & Tolerance & Change Logo
D	C240570	2024-05-27	Ruru	$\triangle D$ X3
E	C240877	2024-07-15	Ruru	$\triangle E$ XI

DCU-08AFEM-LL7BXX  
 XX : 01~99Meter  
 01 : 01Meter  
 02 : 02Meters  
 .....  
 99 : 99Meters  
 Cable Length(L):01~99Meters



8	Brown	16AWG	棕	
7	Green/Yellow	16AWG	綠/黃	
6	Blue	16AWG	藍	
5	Red	24AWG	紅	Twist
4	Green	24AWG	綠	Twist
3	White	24AWG	白	
2	Blue	24AWG	藍	
1	Drain		地線	
Conn.	Wire Color	Pin Out		

Note:  
 \*  $\text{\textcircled{C}}$  Important Dimension To Check  
 \* Waterproof Rate: IP67  
 \* Connector: Nylon+GF, Black  
 \* Pin: Copper Alloy, Gold Plated  
 \* O-Ring: Silicone, Gray  
 \* Lock Nut: Nylon+GF, Black  
 \* Cable: UL2586 (24#\*1P+A)\*2C+16#\*3C+Drain+Al/Mylar, PVC Jacket, UV Resistant, OD= $\text{\textcircled{D}}$ 10.0mm, Black  
 \* Cable Length Tolerance : 01M $\pm$ 40mm  
 02M~05M: $\pm$ 60mm  
 06M~10M: $\pm$ 100mm  
 11M~30M: $\pm$ 200mm  
 31M~99M: $\pm$ 500mm

UNIT:mm		TITLE
TOLERANCE	$\pm 0.5$ mm $\triangle$	0 CERES, D-20A+2A, 08P, CABLE W/SR F, M PWR+F SIG, MOLDING, 2LOCK $\triangle$
SCALE	1:1	SIZE
REV.	E	A4
WC-REV.	C.2	SHEET
		1 OF 1
		$\text{\textcircled{C}}$ : Inspection item

**Amphenol LTW**  
 安費諾亮泰企業股份有限公司

ITEM NO	DRAWN BY	DATE
DWG NO	CHECKED BY	DATE
CUSTOMER	APPROVED BY	DATE
DCU-08AFEM-LL7BXX	Ruru	2024-07-15
ALTW	Rita	2024-07-15
	Fred	2024-07-15