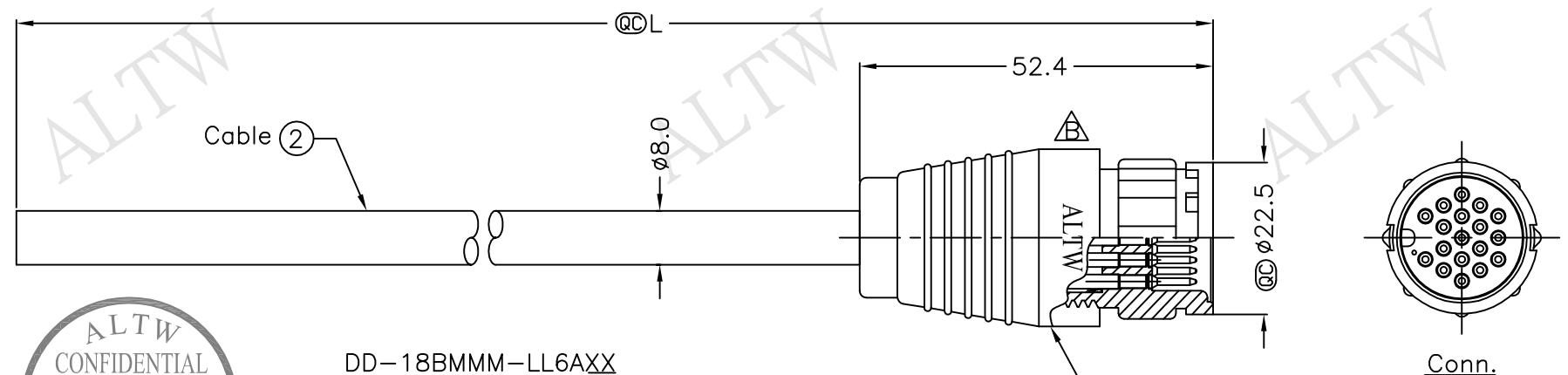
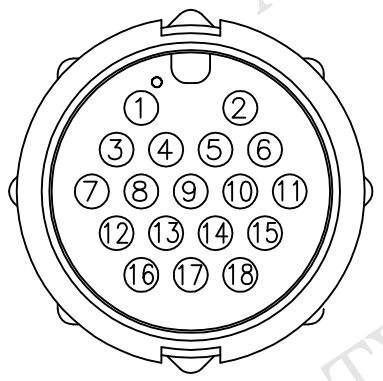
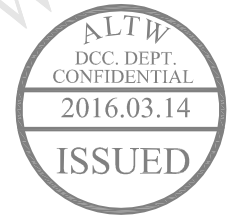


REV.	ECN NO.	DATE	SIGN	DESCRIPTION
B	LEN1630219~222	2016/02/25	Ruru	Change Logo & Note



DD-18BMMM-LL6AXX
 XX:01~99Meter
 01:01Meter
 02:02Meters
 ...
 99:99Meters
 Cable Length(L):01~99 Meter

① DD-18BMMM-LL6000
 Color:Black



Pin Assignments
 Front View 前視圖

Black	黑	9	Blue/White	藍/白	18
Red	紅	8	Green/White	綠/白	17
Pink	粉紅	7	Orange/White	橙/白	16
Gray	灰	6	Red/White	紅/白	15
Yellow	黃	5	Brown/White	棕/白	14
Green	綠	4	Black/White	黑/白	13
White	白	3	Light Green	淺綠	12
Blue	藍	2	Purple	紫	11
Brown	棕	1	Orange	橙	10
Wire Color	Conn.		Wire Color	Conn.	

Pin Out

- Note:**
- * @C Important Dimension.
 - * Waterproof Rate: IP66
 - * Housing: Nylon+GF, Black
 - * Pin: Copper Alloy, Gold Plated
 - * Cable: UL2464 24AWG*18C+D+AL/My Jacket ,UV Resistant, OD=8.0mm, Black
 - * Cable Length Tolerance: 01M: ±40mm
 02M~05M: ±60mm
 06M~10M: ±100mm
 11M~30M: ±200mm
 31M~99M: ±500mm

UNIT:mm		TITLE Lock Type Cable Assembly-180° 18Pin Male Connector Male Pin(5A)	Amphenol LTW 安費諾亮泰企業股份有限公司		ITEM NO	DRAWN BY Ruru	DATE 2016/02/25
TOLERANCE ±0.5 mm		SCALE 1 : 1	SHEET 1 OF 1		DWG NO DD-18BMMM-LL6AXX	CHECKED BY Rita	DATE 2016/02/25
	REV. B	SIZE A4	@C :Inspection Item		CUSTOMER ALTW	APPROVED BY Lisa	DATE 2016/02/25

THIS DOCUMENT IS SUBJECT TO CHANGE WITHOUT NOTICE. IT IS CONFIDENTIAL AND A PROPERTY OF Amphenol LTW. DISCLOSURE TO THIRD PARTY HAS TO BE AUTHORIZED BY Amphenol LTW.