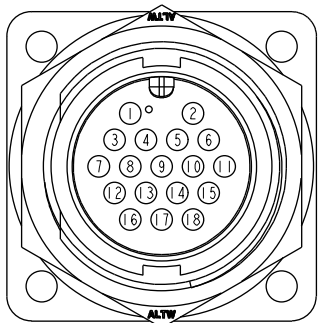
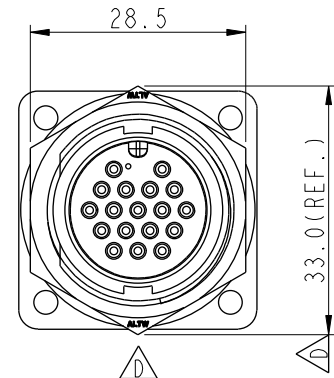
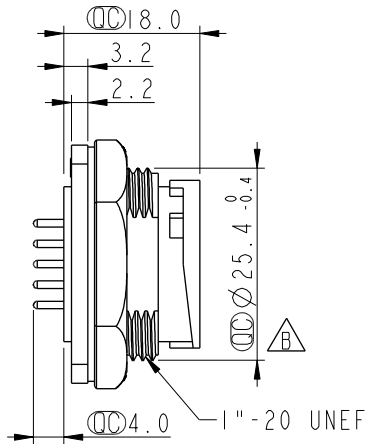
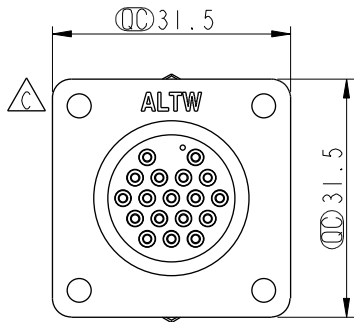
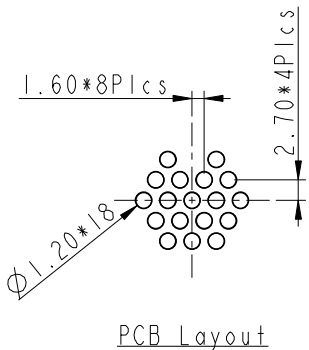
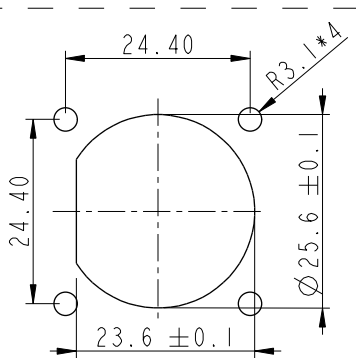


ALTW
CONFIDENTIAL
2019-03-12
R&D DEPT.

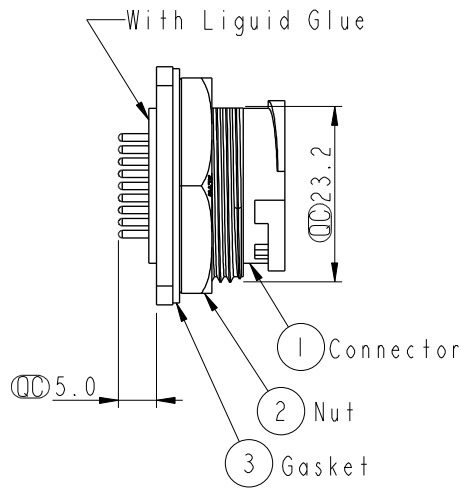
REV.	ECN NO.	DATE	SIGN	DESCRIPTION
C	LEN14C0589	2014/12/23	Sam	Update Logo
D	LEN1660020	2016/05/25	Vicky	Update Nut View & Dime
E	CI90314	2019/03/12	Ruru	Modify Note



Pin Assignments
Front View



Recommended
Panel Cut-Out



Note: \triangle

- * CC Important Dimension To Check.
- * Waterproof Rate: IP67, Unmated
- * Housing: Thermoplastic, Black
- * Pin: Copper Alloy, Gold Plated
- * Nut: Thermoplastic, Black
- * Gasket: Rubber, Black
- * \triangle Use Waterproof Cap or Dust Cap
Panel Thickness Max: 3.0mm
- * \triangle Use without Waterproof Cap or Dust Cap
Panel Thickness Max: 4.0mm
- * Gasket and Nut are packed separately
in PE bags.

UNIT:mm		
TOLERANCE	.X	±0.25
	.XX	±0.1
	.XXX	±0.05
ANGLES		±1°

TITLE Large Panel Lock 18Pin M Conn M Pin			
SCALE 1:1	SIZE A4	SHEET 1 OF 1	
REV. E	WC-REV. A.3	CC : Inspection item	

Amphenol LTW
安費諾亮泰企業股份有限公司

ITEM NO. DD-18PMMP-LS7001	DRAWN BY Ruru	DATE 2019-03-12
DWG NO. DD-18PMMP-LS7001	CHECKED BY Rita	DATE 2019-03-12
CUSTOMER ALTW	APPROVED BY Max	DATE 2019-03-12

THIS DOCUMENT IS SUBJECT TO CHANGE WITHOUT NOTICE. IT IS CONFIDENTIAL AND A PROPERTY OF Amphenol LTW. DISCLOSURE TO THIRD PARTY HAS TO BE AUTHORIZED BY Amphenol LTW.