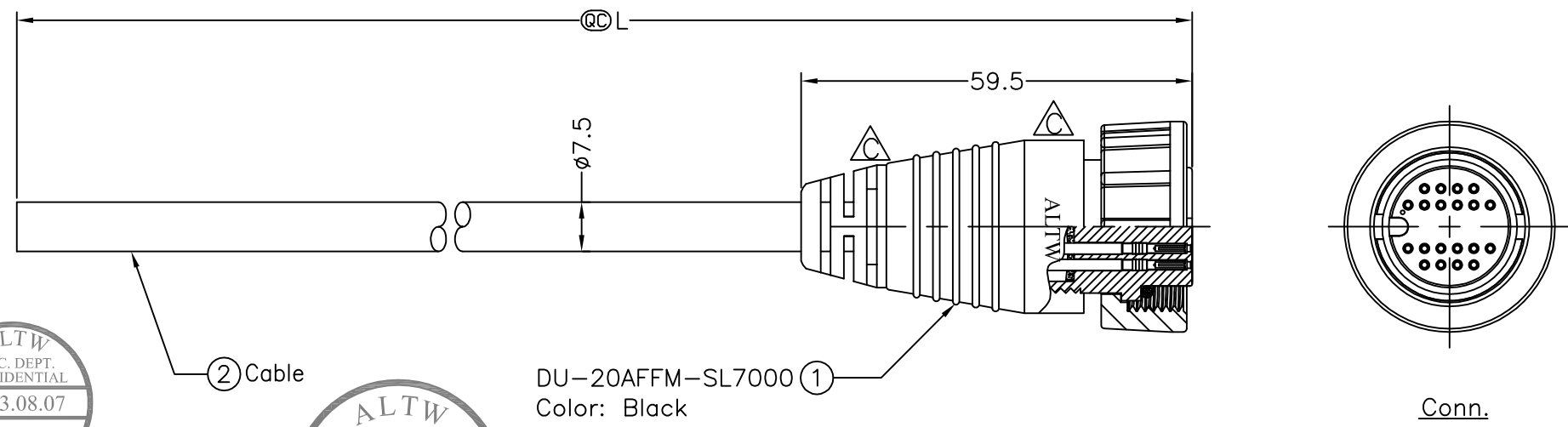


REV.	ECN NO.	DATE	SIGN	DESCRIPTION
B	LEN-050068~71	2009/12/30	Li Xiu Zhi	Change View
C	LEN1380013~16	2013/07/17	Ruru	Modify the SR & Change Logo

1 2 3 4 5 6 7 8

F
E
D
C
B
A

THIS DOCUMENT IS SUBJECT TO CHANGE WITHOUT NOTICE. IT IS CONFIDENTIAL AND A PROPERTY OF AMPHENOL LTW. DISCLOSURE TO THIRD PARTY HAS TO BE AUTHORIZED BY AMPHENOL LTW.



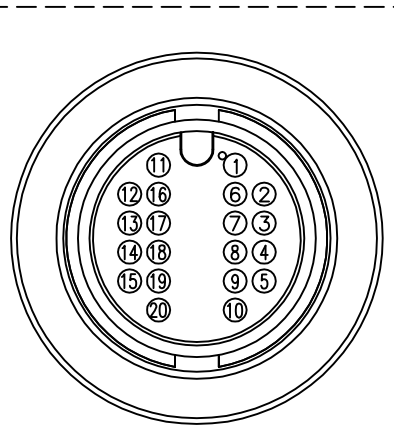
DU-20AFFM-SL7000 ①
Color: Black

DU-20AFFM-SL7AXX

- XX:01~99Meter
- 01:01Meter
- 02:02Meters
- :
- :
- 99:99Meters

Cable Length(L):01~99Meters

- Note:
- * @C Important Dimensions To Check.
 - * Waterproof Rate: IP67
 - * Housing: Nylon+GF ,Black
 - * Female Pin: Copper Alloy,Gold Plated
 - * O-Ring: EPDM, Black
 - * Screw Nut: Nylon+GF, Black
 - * Cable:UL2464 26AWG*22C+Drain+AL.Mylar PVC Jacket UV Resistant, OD=7.5mm,Black
 - * Cable Length Tolerance:01M:±40mm
02M~05M:±60mm
06M~10M:±100mm
11M~30M:±200mm
31M~99M:±500mm



Pin Assignments
Front View

White	白	10	Red/Black	紅/黑	20
Gray	灰	9	Purple/White	紫/白	19
Purple	紫	8	Blue/White	藍/白	18
Blue	藍	7	Green/White	綠/白	17
Green	綠	6	Orange/White	橙/白	16
Yellow	黃	5	Red/White	紅/白	15
Orange	橙	4	Brown/White	棕/白	14
Red	紅	3	Black/White	黑/白	13
Brown	棕	2	Light Green	淺綠	12
Black	黑	1	Pink	粉紅	11
Wire Color	Conn.		Wire Color	Conn.	
Pin Out			Pin Out		

UNIT:mm	
TOLERANCE	
.X	±0.25
.XX	±0.1
.XXX	±0.05
ANGLES	±1°

TITLE Large,Cable Screw 20Pin F Conn F Pin			
SCALE	Free	SHEET	1 OF 1
REV.	C	SIZE	A4
@C :Inspection Item			

Amphenol LTW
安費諾亮泰企業股份有限公司

ITEM NO	
DWG NO	DU-20AFFM-SL7AXX
CUSTOMER	ALTW

DRAWN BY	Ruru	DATE	2013/07/17
CHECKED BY	Rita	DATE	2013/07/17
APPROVED BY	Maslow	DATE	2013/07/17