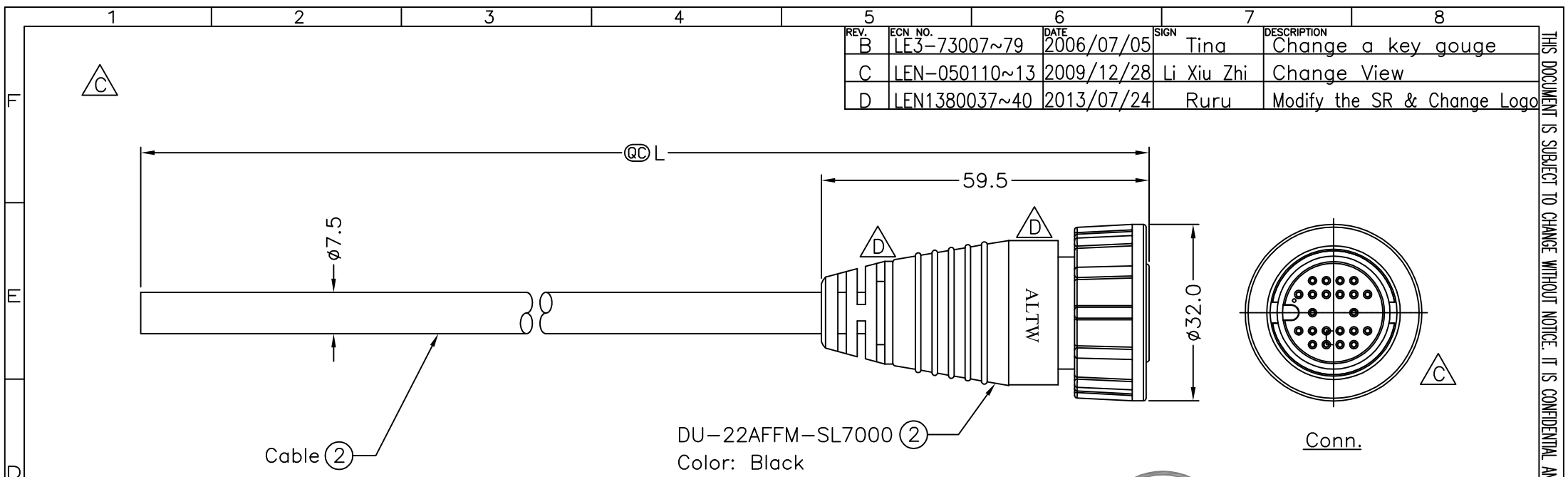


REV.	ECN NO.	DATE	SIGN	DESCRIPTION
B	LE3-73007~79	2006/07/05	Tina	Change a key gouge
C	LEN-050110~13	2009/12/28	Li Xiu Zhi	Change View
D	LEN1380037~40	2013/07/24	Ruru	Modify the SR & Change Logo

THIS DOCUMENT IS SUBJECT TO CHANGE WITHOUT NOTICE. IT IS CONFIDENTIAL AND A PROPERTY OF Amphenol LTW. DISCLOSURE TO THIRD PARTY HAS TO BE AUTHORIZED BY Amphenol LTW.

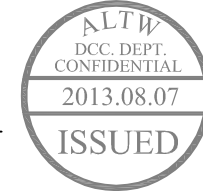


DU-22AFFM-SL7000 ②  
Color: Black

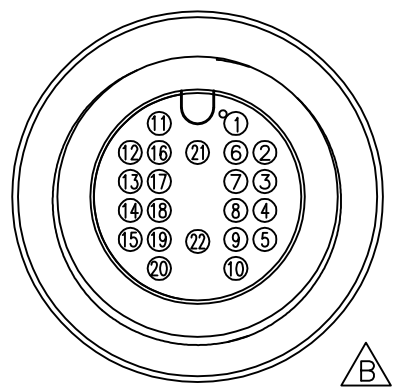
DU-22AFFM-SL7AXX

XX:01~99Meter  
01:01Meter  
02:02Meters  
:  
:  
99:02Meters

Cable Length(L):01~99Meters



- Note:
- \* @C Important Dimension To Check.
  - \* Waterproof Rate: IP67
  - \* Housing: Nylon+GF, Black
  - \* Pin: Copper Alloy, Gold Plated
  - \* Cable:UL2464 26AWG\*22C+Drain+AL.Mylar PVC Jacket UV Resistant,OD=7.5mm,Black
  - \* Cable Length Tolerance: 01M:±40mm  
02M~05M:±60mm  
06M~10M:±100mm  
11M~30M:±200mm  
31M~99M:±500mm



Pin Assignments  
Front View

11	Pink	粉紅	22	Yellow/Black	黃/黑
10	White	白	21	Orange/Black	橙/黑
9	Gray	灰	20	Red/Black	紅/黑
8	Purple	紫	19	Purple/White	紫/白
7	Blue	藍	18	Blue/White	藍/白
6	Green	綠	17	Green/White	綠/白
5	Yellow	黃	16	Orange/White	橙/白
4	Orange	橙	15	Red/White	紅/白
3	Red	紅	14	Brown/White	棕/白
2	Brown	棕	13	Black/White	黑/白
1	Black	黑	12	Light Green	淺綠
Conn.	Wire Color	Pin Out	Conn.	Wire Color	Pin Out

UNIT:mm		TITLE
TOLERANCE	±0.5 mm	Large Cable 22Pin F Conn F Pin
SCALE	Free	SHEET 1 OF 1
REV.	D	SIZE A4
		@C :Inspection Item

**Amphenol LTW**  
安費諾亮泰企業股份有限公司

ITEM NO	DRAWN BY	DATE
DWG NO	CHECKED BY	DATE
CUSTOMER	APPROVED BY	DATE
	Ruru	2013/07/24
DU-22AFFM-SL7AXX	Rita	2013/07/24
ALTW	Maslow	2013/07/24