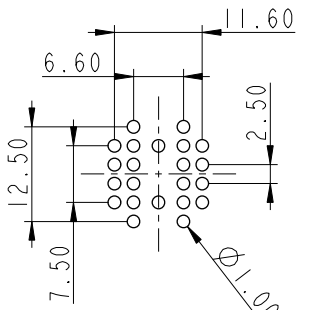
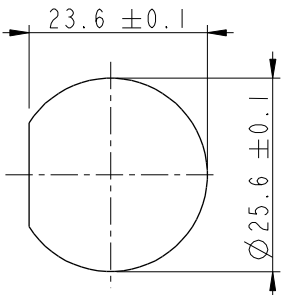


THIS DOCUMENT IS SUBJECT TO CHANGE WITHOUT NOTICE. IT IS CONFIDENTIAL AND A PROPERTY OF Amphenol LTW. DISCLOSURE TO THIRD PARTY HAS TO BE AUTHORIZED BY Amphenol LTW.

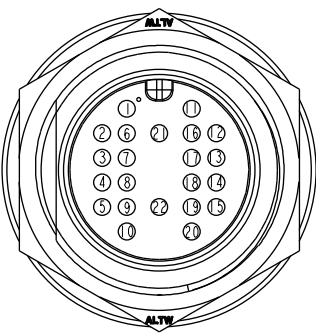
REV.	ECN NO.	DATE	SIGN	DESCRIPTION
E	LEN1650020	2016/04/26	Ruru	Modify Nut View & Logo & Dimension
F	LEN1840050	2018/04/12	Ethan	Modify Panel Thickness
G	CI90314	2019/03/13	Ruru	Modify Note



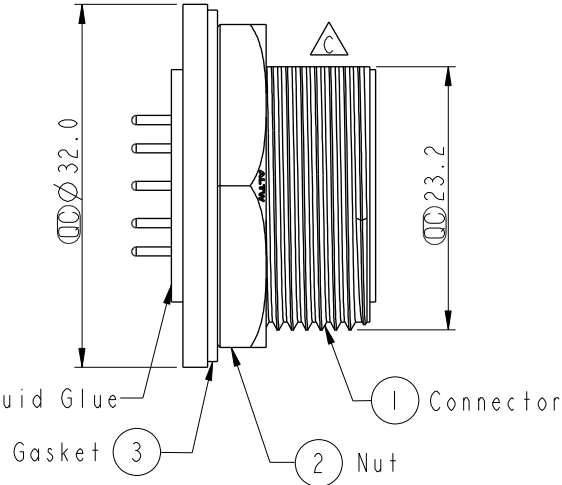
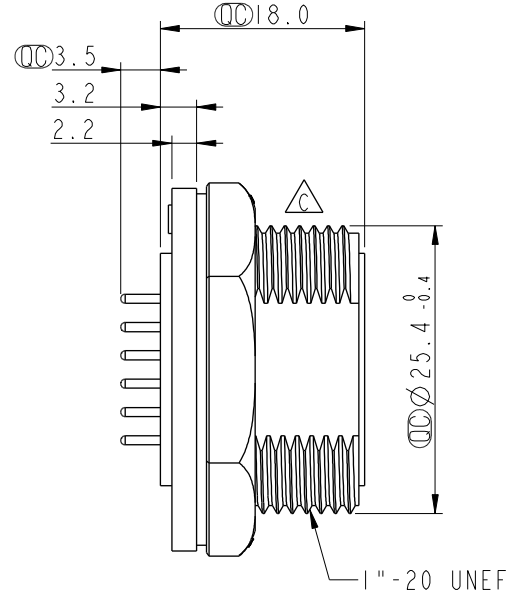
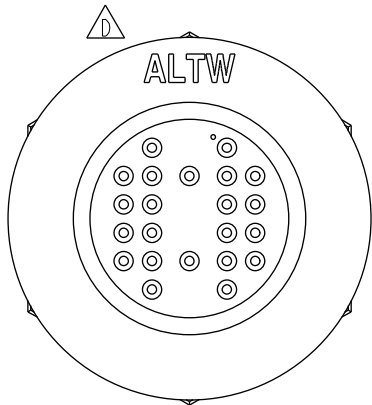
PCB Layout



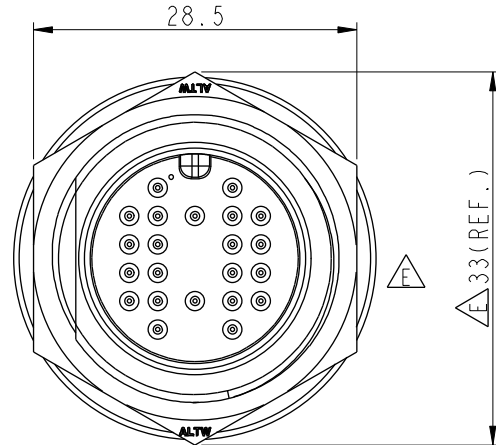
Recommended Panel Cut-Out



Pin Assignments Front View



With Liquid Glue



NOTE:  $\triangle A$

- \*  $\text{⌀}$  Important Dimension.
- \* Waterproof Rate: IP67, Unmated
- \* Housing: Thermoplastic, Black
- \* Pin: Copper Alloy, Gold Plated
- \* Nut: Thermoplastic, Black
- \* Gasket: Rubber, Black
- $\triangle E$ \* Use Waterproof Cap or Dust Cap  
Panel Thickness Max: 1.8mm
- $\triangle E$ \* Use without Waterproof Cap or Dust Cap  
Panel Thickness Max: 3.0mm
- \* Gasket and Nut are packed separately in PE bags.

UNIT:mm	
TOLERANCE	
.X	±0.25
.XX	±0.1
.XXX	±0.05
ANGLES	±1°

TITLE Large, Panel Screw 22Pin M Conn M Pin			
SCALE 1:1	SIZE A4	SHEET 1 OF 1	
REV. G	WC-REV. A.2	$\text{⌀}$ : Inspection item	

**Amphenol LTW**  
安費諾亮泰企業股份有限公司

ITEM NO DU-22PMMP-SC7001	DRAWN BY Ruru	DATE 2019-03-13
DWG NO DU-22PMMP-SC7001	CHECKED BY Rita	DATE 2019-03-13
CUSTOMER ALTW	APPROVED BY Max	DATE 2019-03-13