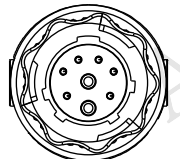


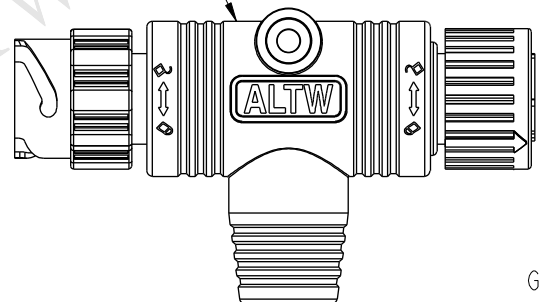
THIS DOCUMENT IS SUBJECT TO CHANGE WITHOUT NOTICE. IT IS CONFIDENTIAL AND A PROPERTY OF Amphenol LTW. DISCLOSURE TO THIRD PARTY HAS TO BE AUTHORIZED BY Amphenol LTW.

REV.	ECN NO.	DATE	SIGN	DESCRIPTION
A	Initial Release	2014/11/13	Vicky	Old Item No. GA-080800-MFO-TLAXX

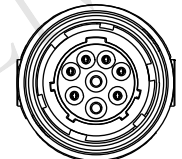
GA-080800-MFO-TT000  
Color: Black



Conn. 1



Front View



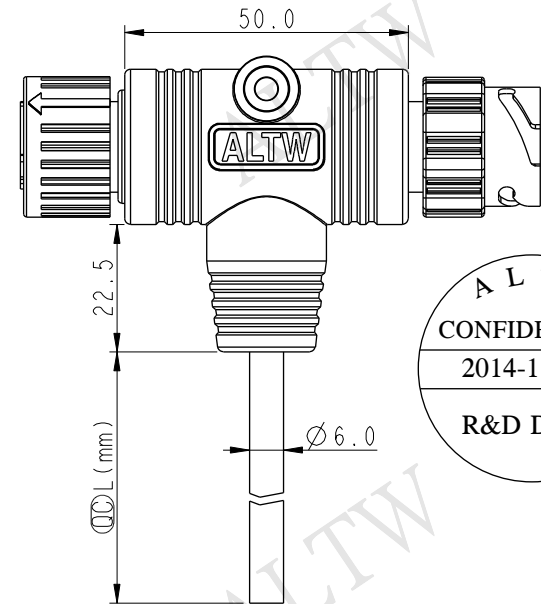
Conn. 2

GA-080800-MFO-TTAXX

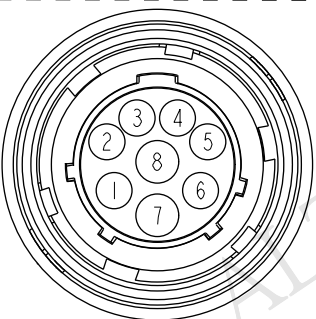
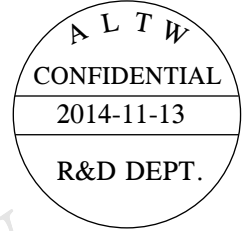
XX: 01~99Meter  
01: 01Meter  
02: 02Meters  
...  
99: 99Meters

Cable Length(L): 01~99Meters

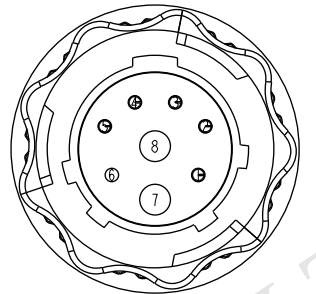
2 Cable



Back View



Conn. 2  
Pin Assignments  
Front View



Conn. 1  
Pin Assignments  
Front View

8	Blue	(20AWG)	藍	8	Blue	(20AWG)	藍
7	Green	(20AWG)	綠	7	Green	(20AWG)	綠
6	Purple	(24AWG)	紫	6	Purple	(24AWG)	紫
5	Yellow	(24AWG)	黃	5	Yellow	(24AWG)	黃
4	Orange	(24AWG)	橘	4	Orange	(24AWG)	橘
3	Red	(24AWG)	紅	3	Red	(24AWG)	紅
2	Brown	(24AWG)	棕	2	Brown	(24AWG)	棕
1	Black	(24AWG)	黑	1	Black	(24AWG)	黑
Conn. 1	Wire Harness Color			Conn. 2	Cable Color		

Note:

- \*  $\varnothing$  Important Dimension
- \* Waterproof Rate: IP68  
In 1 Meter Water Within 24 Hours
- \* Connector: PBT+PC, Black
- \* Pin: Copper Alloy, Gold Plated
- \* Cable: UL2464 (20#\*2C+24#\*6C)+D+A, Black PVC Jacket, UV Resistant, OD6.0mm
- \* Wire Harness: UL1007, 20AWG & 24AWG
- \* Cable Length Tolerance:
  - 02M~05M: ±60mm
  - 06M~10M: ±100mm
  - 11M~30M: ±200mm
  - 31M~99M: ±500mm

UNIT:mm	
TOLERANCE	±0.5 mm

TITLE 三點卡合 G Size T Cable Cable Lock 8P MF Conn MF Pin			
SCALE 3:4	SIZE A4	SHEET 1 OF 1	
REV. A	WC-REV. A.1	$\varnothing$ : Inspection item	

**Amphenol LTW**  
安費諾亮泰企業股份有限公司

ITEM NO	DRAWN BY Vicky	DATE 2014-11-13
DWG NO GA-080800-MFO-TTAXX	CHECKED BY Sam	DATE 2014-11-13
CUSTOMER ALTW	APPROVED BY Rita	DATE 2014-11-13