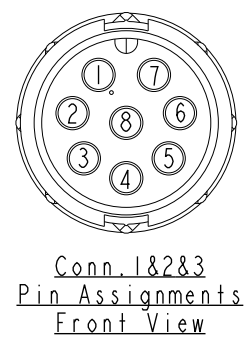
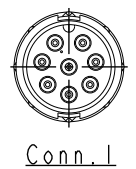
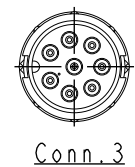
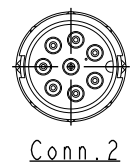
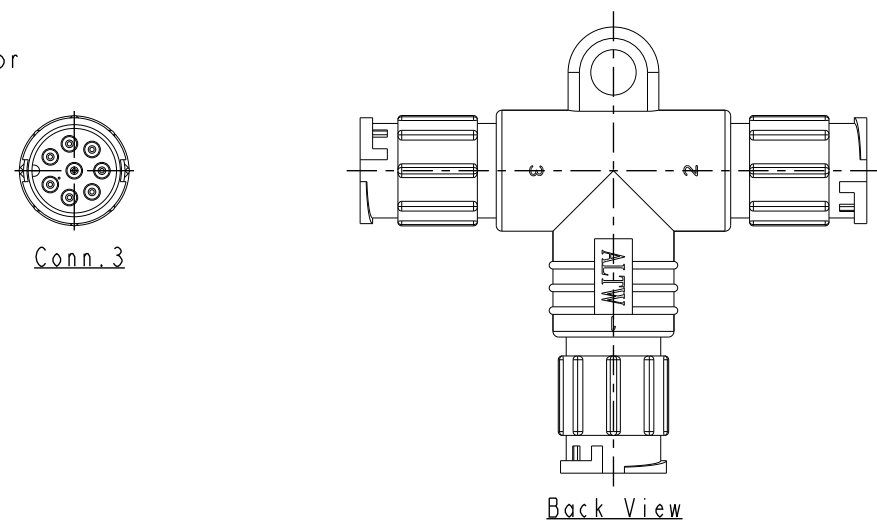
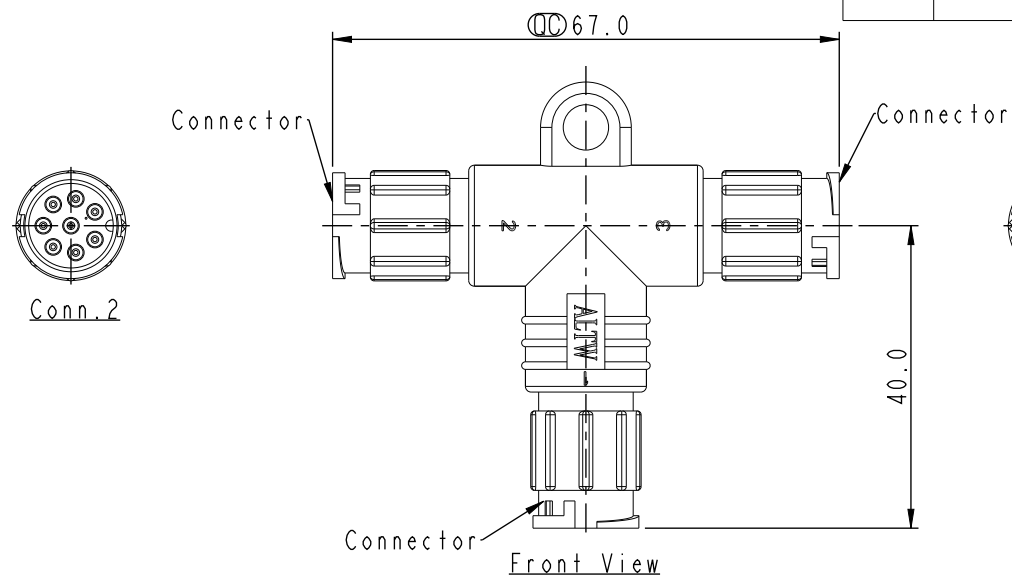


THIS DOCUMENT IS SUBJECT TO CHANGE WITHOUT NOTICE. IT IS CONFIDENTIAL AND A PROPERTY OF AMPHENOL LTW. DISCLOSURE TO THIRD PARTY HAS TO BE AUTHORIZED BY AMPHENOL LTW.

REV.	ECN NO.	DATE	SIGN	DESCRIPTION
A		2021/12/21	Eric	Initial Release
B	C240379	2024/04/10	Hubert	$\triangle B$ XI



8	8	8	Gray	灰
7	7	7	Yellow	黃
6	6	6	Green	綠
5	5	5	White	白
4	4	4	Brown	棕
3	3	3	Blue	藍
2	2	2	Black	黑
1	1	1	Red	紅
Conn.1	Conn.2	Conn.3	Wire Color	

- $\triangle B$  Note:
- \*  $\text{CC}$  Important Dimension.
  - \* Waterproof Rate: IP66
  - \* Connector: Nylon+GF, Black
  - \* Pin: Copper Alloy, Gold Plated
  - \* Lock Nut: Nylon+GF, Black
  - \* Wire Harness: UL1007 24AWG

UNIT:mm   
 TOLERANCE  
 $\pm 0.5$  mm

TITLE ACC, CERES, B-5A, T ADA W/O CB  
 MMM, 888  
 SCALE 1:1 SIZE A4 SHEET 1 OF 1  
 REV. B WC-REV. A.4  $\text{CC}$ : Inspection item

**Amphenol LTW**  
 安費諾亮泰企業股份有限公司

ITEM NO	BA-080808-MMM-TL001	DRAWN BY	Hubert	DATE	2024/04/10
DWG NO	BA-080808-FMM-TL001	CHECKED BY	Aric	DATE	2024/04/10
CUSTOMER	ALTW	APPROVED BY	Fred	DATE	2024/04/10