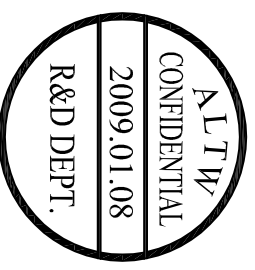
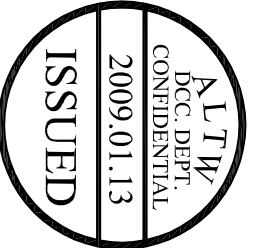
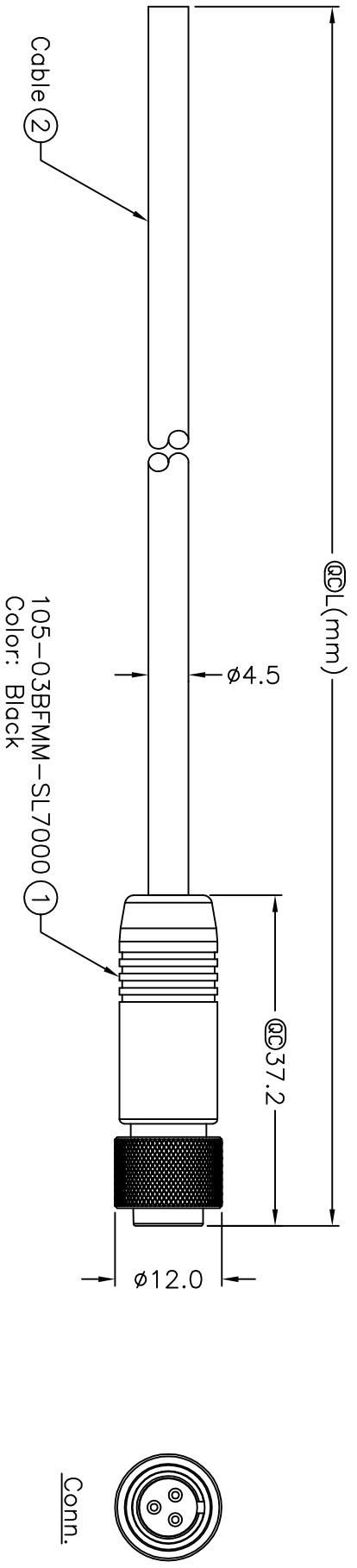


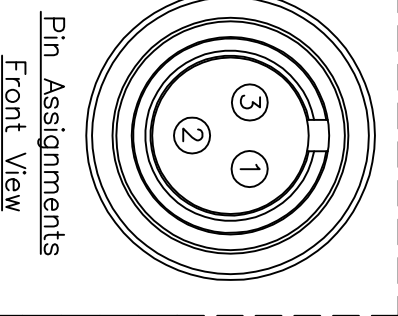
REV. B	EON NO. LEN-910088~91	DATE 2009/01/08	SIGN Vicky	DESCRIPTION Update the drawing.
--------	-----------------------	-----------------	------------	---------------------------------



105-03BFMM-SL7AXX  
 ↓  
 XX:01~99Meters  
 01:01Meter  
 02:02Meters  
 :  
 :  
 99:99Meters  
 Cable Length(L):01~99Meters

- Notes:
- \* @ Important Dimension.
  - \* Waterproof Rate:IP67.
  - \* Connector:Black,Nylon+GF.
  - \* Male Pin:Copper Alloy,Gold Plated.
  - \* Cable:UL2464 24AWG\*3C+Talc,Black, PVC Jacket,UV Resistant,OD=4.5mm.
  - \* Cable Length Tolerance: 01M:±40mm  
 02M~05M:±60mm  
 06M~10M:±100mm  
 11M~30M:±200mm  
 31M~99M:±500mm

3	Green	綠
2	Black	黑
1	White	白
Conn.	Wire Color	



Pin Out

Pin Assignments  
 Front View

UNIT:mm		M10.5 Conn
TOLERANCE		Cable Screw 3P F Conn M Pin
±0.5 mm		

TITLE	M10.5 Conn	ITEM NO		DRAWN BY	Vicky	DATE	2009/01/08
SCALE	F Free	DWG NO	105-03BFMM-SL7AXX	CHECKED BY	lvon	DATE	2009/01/08
REV. B	SIZE A4	CUSTOMER	ALTW	APPROVED BY	Luke	DATE	2009/01/08