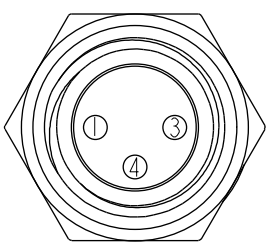
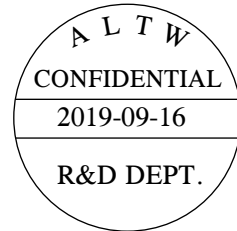
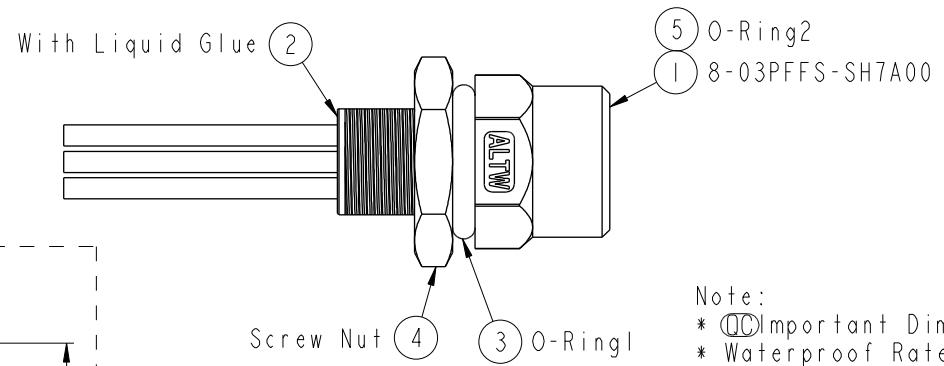
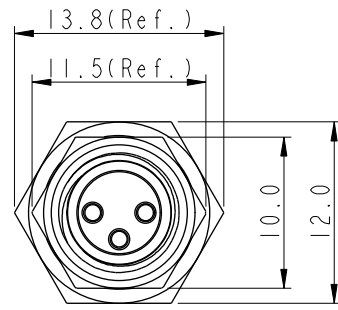
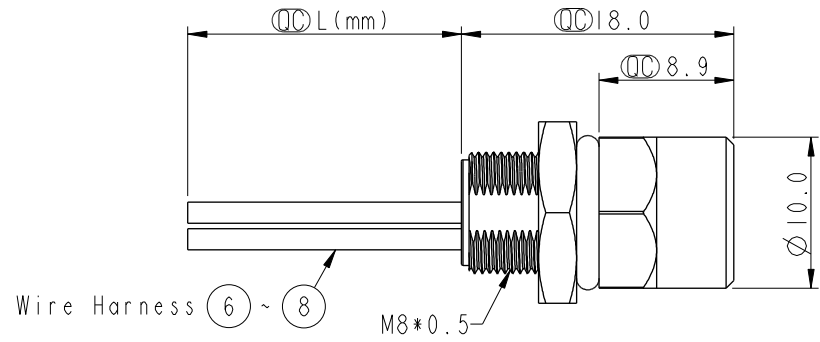


THIS DOCUMENT IS SUBJECT TO CHANGE WITHOUT NOTICE. IT IS CONFIDENTIAL AND A PROPERTY OF Amphenol LTW. DISCLOSURE TO THIRD PARTY HAS TO BE AUTHORIZED BY Amphenol LTW.

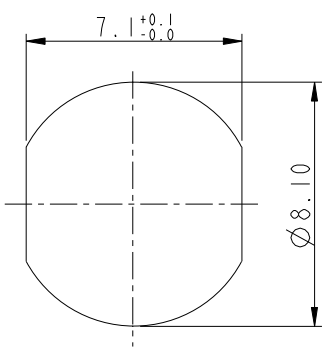
REV.	ECN NO.	DATE	SIGN	DESCRIPTION
B	LE31410400~02	2014-01-09	Tony_leng	Change Ball No. & Wire Length
C	E191630	2019-09-16	Ruru	Update Wire Tolerance

8-03PFFS-SH7AXX

15: 150mm
 20: 200mm
 ↓
 95: 950mm
 Cable Pitch Unit=50mm
 A0: 1000mm
 ↓
 A5: 1500mm
 Cable Pitch Unit=100mm
 Wire Length (L): 150~1500 mm



Pin Assignment
Front View



Recommended
Panel Cut-Out

4	Black	黑
3	Blue	藍
1	Brown	棕
Conn.	Wire Color	
	Pin Out	

Note:
 * Important Dimension.
 * Waterproof Rate: IP67
 * Connector: Nylon+GF, Black
 * Female Pin: Copper Alloy, Gold Plated
 * Shield: Zinc Alloy, Nickel Plated
 * Nut: Copper Alloy, Nickel Plated
 * O-Ring1: EPDM, Black
 * O-Ring2: VITON, Green
 * Wire Harness: UL1007, 24AWG
 * For Panel Thickness Max 4.5mm
 * Nut Torque: 4-6 kgf.cm
 * Wire harness Tolerance: 150~300±15mm
 301~1000±20mm
 Over1000 ±50/-0mm

UNIT:mm		TITLE		ITEM NO		DRAWN BY		DATE	
TOLERANCE		M8 Panel With Wire Harness		8-03PFFS-SH7AXX		Ruru		2019-09-16	
.X	±0.25	SCALE	2:1	DWG NO	8-03PFFS-SH7AXX	CHECKED BY	Rita	DATE	2019-09-16
.XX	±0.1	SIZE	A4	CUSTOMER	ALTW	APPROVED BY	Max	DATE	2019-09-16
.XXX	±0.05	REV.	C	SHEET 1 OF 1					
ANGLES	±1°	WC-REV.	B.2	Amphenol LTW 安費諾亮泰企業股份有限公司					
		◎◎: Inspection item							