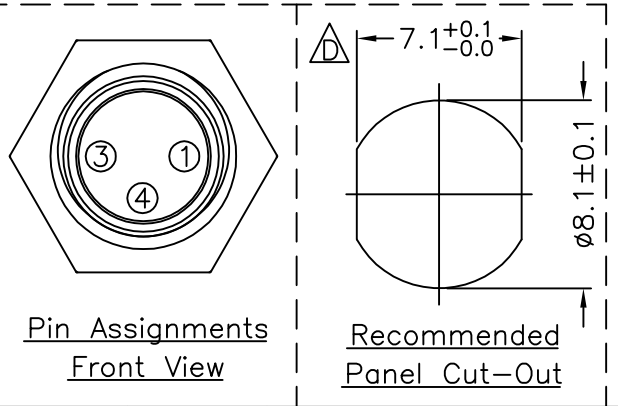
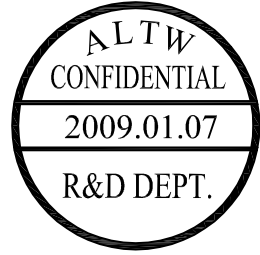
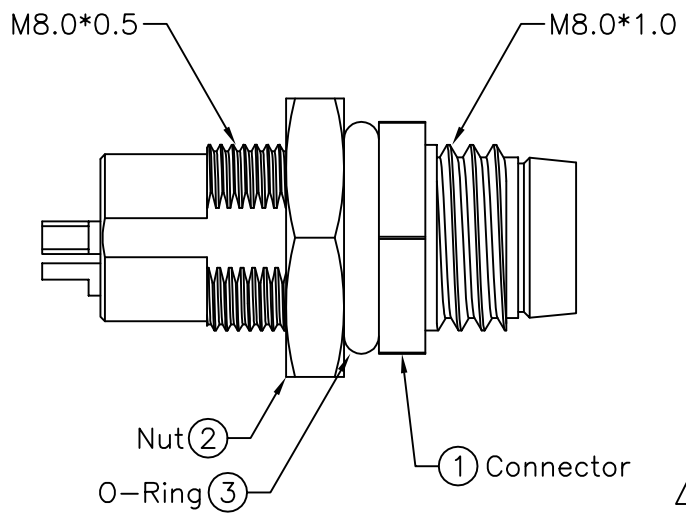
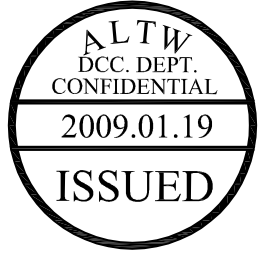
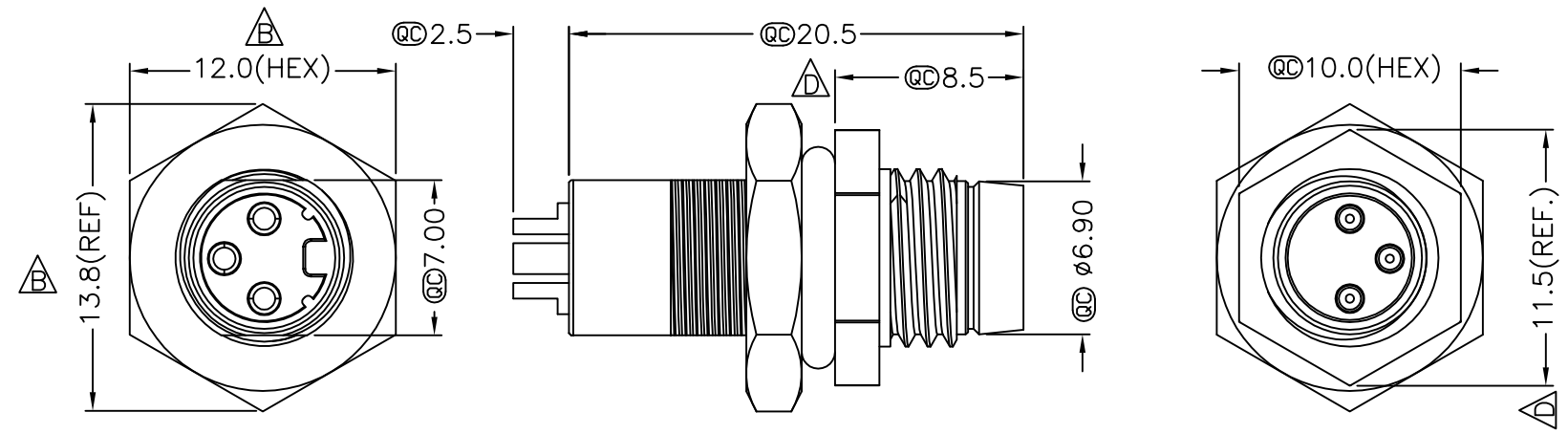


REV	ECN NO.	DATE	SIGN	DESCRIPTION
B	LEN-750246	2007/05/26	Jason	Change Dimension of Nut
C	LEN-7A0178	2007/09/29	Myrdal	Added Note
D	LEN-910183	2009/01/07	Ivan Lin	Change rev. to ECN note



- Note:
- \* @C Important Dimension.
  - \* Waterproof Rate: IP67
  - \* Housing: Black, Nylon+GF
  - \* Male Pin: Copper Alloy, Gold Plated
  - \* Shield: Zinc Alloy, Nickel Plated
  - \* Nut: Copper Alloy, Nickel Plated
  - \* O-Ring: Black, EPDM
  - \* For Panel Thickness Max 3.5mm
  - \* Nut Torque: 4-6 kgf.cm

UNIT:mm		TITLE M8 Conn Panel Screw 3P M Conn M Pin		<b>Amphenol LTW</b>		ITEM NO 8-03PMMS-SH7002	DRAWN BY Ivan Lin	DATE 2009/01/07
TOLERANCE .X ±0.25 .XX ±0.1 .XXX ±0.05 ANGLES ±1°		SCALE Free	SHEET 1 OF 1	安費諾亮泰企業股份有限公司		DWG NO 8-03PMMS-SH7002	CHECKED BY Tommy Hom	DATE 2009/01/07
REV. D	SIZE A4	@C : Inspection Item		CUSTOMER ALTW		APPROVED BY Luke Chang		DATE 2009/01/07

THIS DOCUMENT IS SUBJECT TO CHANGE WITHOUT NOTICE. IT IS CONFIDENTIAL AND A PROPERTY OF Amphenol LTW. DISCLOSURE TO THIRD PARTY HAS TO BE AUTHORIZED BY Amphenol LTW.