

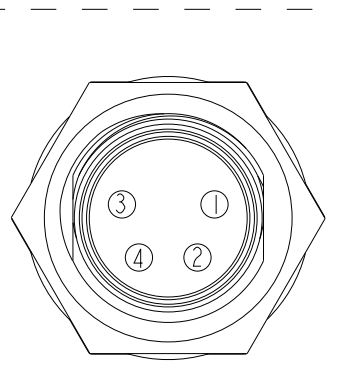
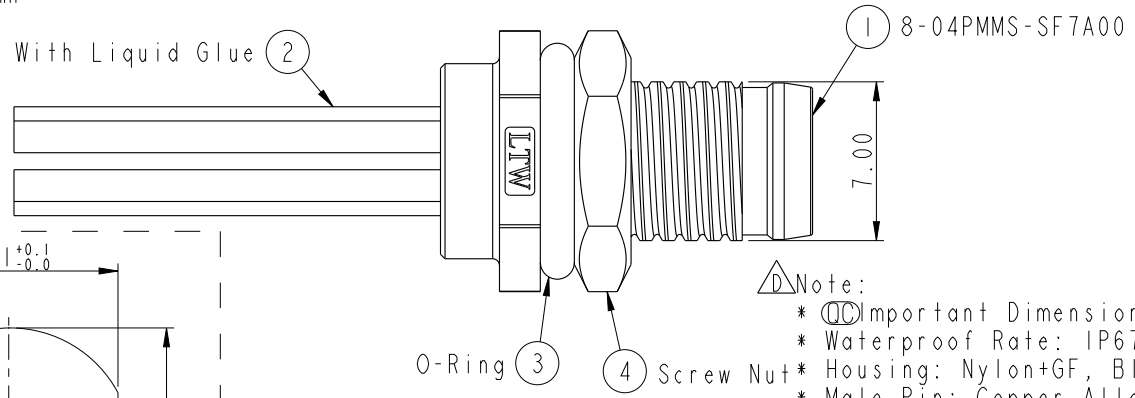
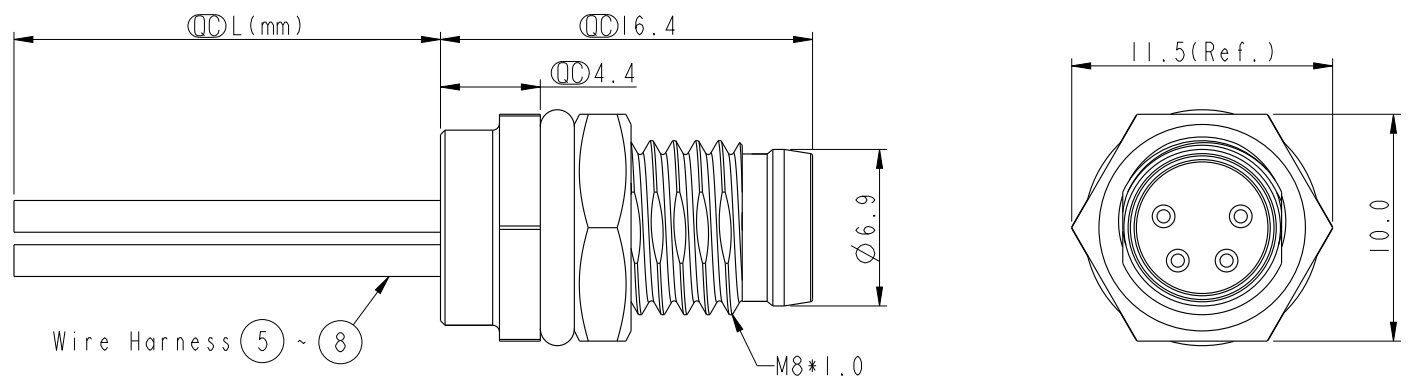
THIS DOCUMENT IS SUBJECT TO CHANGE WITHOUT NOTICE. IT IS CONFIDENTIAL AND A PROPERTY OF Amphenol LTW. DISCLOSURE TO THIRD PARTY HAS TO BE AUTHORIZED BY Amphenol LTW.

REV.	ECN NO.	DATE	SIGN	DESCRIPTION
B	LE31410409~11	2014-01-09	Tony_leng	Change Ball No. & Wire Length
C	E191630	2019-09-18	Ruru	Update Wire Tolarance
D	CI92160	2019/12/21	Peng	\triangle XI

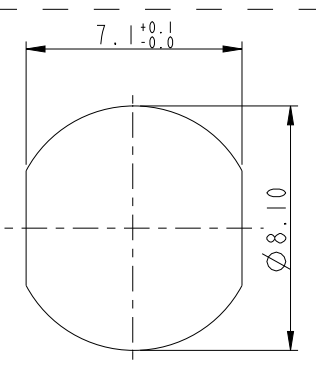
8-04PMMS-SF7AXX \triangle B/C

15:150mm
20:200mm
┆
95:950mm
Cable Pitch Unit=50mm

A0:1000mm
┆
A5:1500mm
Cable Pitch Unit=100mm
Wire Length (L):150~1500 mm



Pin Assignment
Front View



Recommended
Panel Cut-Out

4	Black	黑
3	Blue	藍
2	White	白
1	Brown	棕
Conn.	Wire Color	
	Pin Out	

- \triangle Note:
- * CC Important Dimension.
 - * Waterproof Rate: IP67
 - * Housing: Nylon+GF, Black
 - * Male Pin: Copper Alloy, Gold Plated
 - * Shield: Zinc Alloy, Nickel Plated
 - * Nut: Copper Alloy, Nickel Plated
 - * O-Ring: EPDM, Black
 - * Wire Harness: UL1007, 24AWG
 - * Panel Thickness For Snap-in Type Max 3.0mm
 - * Panel Thickness For Screw Type Max 1.9mm
 - * Nut Torque: 4-6 kgf.cm
 - * Wire harness Tolerance: 150~300±15mm
301~1000±20mm
Over1000 ±50/-0mm

UNIT:mm		TITLE		ITEM NO		DRAWN BY		DATE	
TOLERANCE		M8 4PIN PANEL F CONN F PIN		8-04PMMS-SF7AXX		Ruru		2019-09-18	
.X	±0.25	SCALE	2:1	DWG NO	8-04PMMS-SF7AXX	CHECKED BY	Rita	DATE	2019-09-18
.XX	±0.1	SIZE	A4	CUSTOMER	ALTW	APPROVED BY	Max	DATE	2019-09-18
.XXX	±0.05	REV.	D	SHEET 1 OF 1					
ANGLES	±1°	WC-REV.	B.2	CC: Inspection item					

Amphenol LTW
安費諾亮泰企業股份有限公司