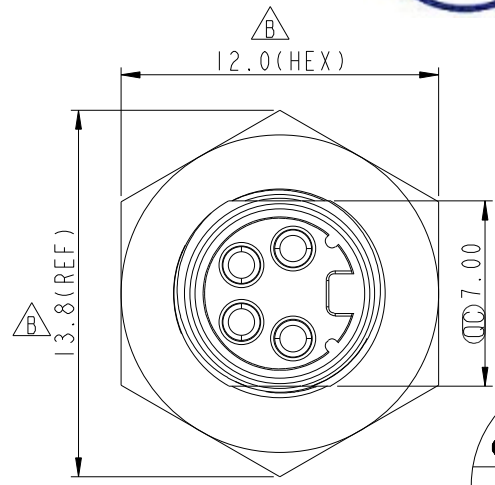


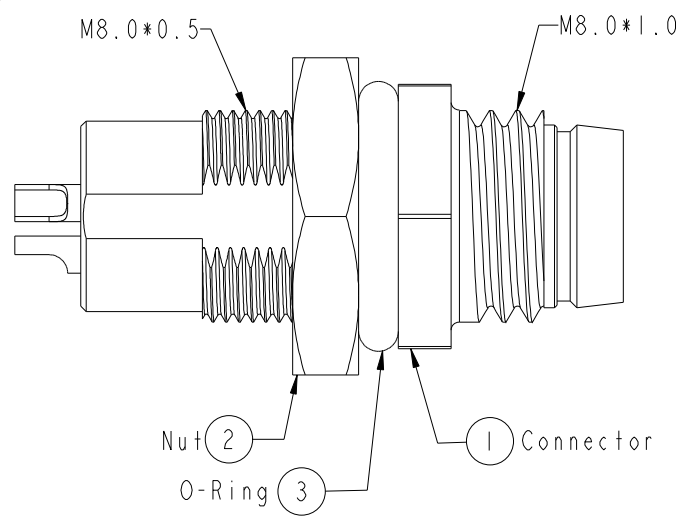
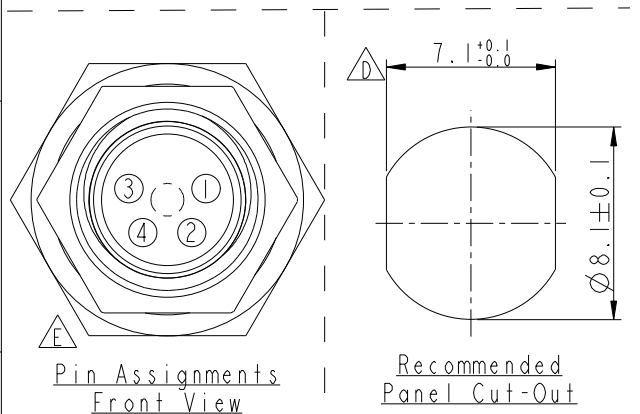
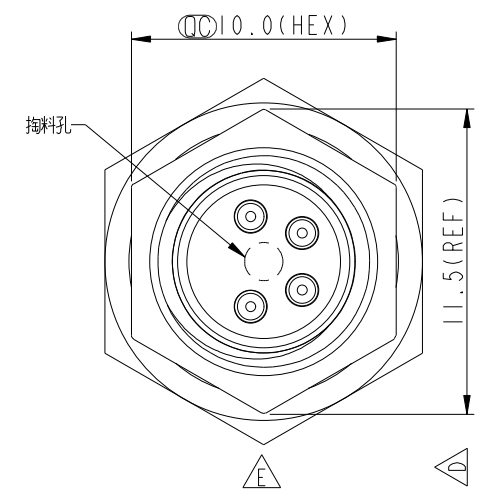
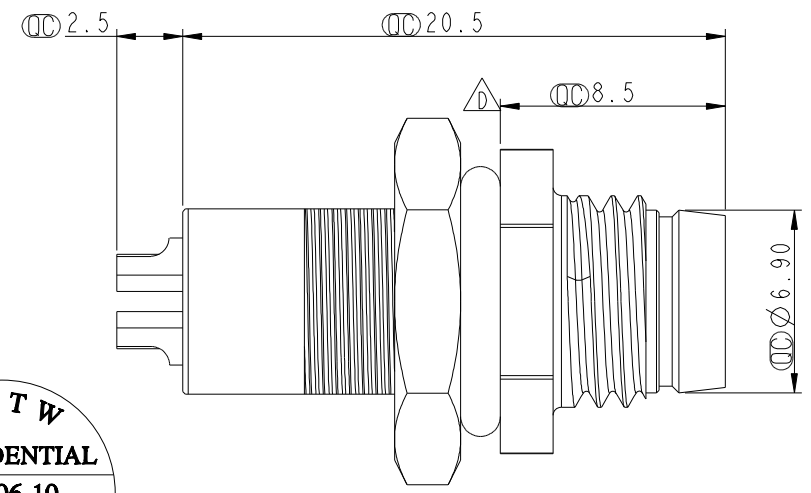
THIS DOCUMENT IS SUBJECT TO CHANGE WITHOUT NOTICE. IT IS CONFIDENTIAL AND A PROPERTY OF Amphenol LTW. DISCLOSURE TO THIRD PARTY HAS TO BE AUTHORIZED BY Amphenol LTW.

REV.	ECN NO.	DATE	SIGN	DESCRIPTION
B	LEN-750250	2007/05/26	Jason	Change Dimension of Nut
C	LEN-7A0179	2007/09/29	Myrdal	Added Note
D	LEN-910191	2009/01/07	Ivan Lin	Change rev. to ECN note
E	LEN1460128	2014/06/10	Jinhai	Change Drawing

**ALTW**  
 DCC. DEPT.  
 CONFIDENTIAL  
 2014.06.27  
 ISSUED



**ALTW**  
 CONFIDENTIAL  
 2014-06-10  
 R&D DEPT.



- Note:**
- \*  $\varnothing$  Important Dimension.
  - \* Waterproof Rate: IP67
  - \* Housing: Nylon+GF, Black
  - \* Male Pin: Copper Alloy, Gold Plated
  - \* Shield: Zinc Alloy, Nickel Plated
  - \* Nut: Copper Alloy, Nickel Plated
  - \* O-Ring: EPDM, Black
  - \* For Panel Thickness Max 3.5mm
  - \* Nut Torque: 4-6 kgf.cm

UNIT: mm			TITLE M8 Conn Panel Screw 4P M Conn M Pin
TOLERANCE .X ±0.25 .XX ±0.1 .XXX ±0.05 ANGLES ±1°	SCALE 7:2	SIZE A4	SHEET 1 OF 1
REV. E	WC-REV. A.3	$\varnothing$ : Inspection item	

**Amphenol LTW**  
 安費諾亮泰企業股份有限公司

ITEM NO 8-04PMMS-SH7002	DRAWN BY Jinhai	DATE 2014/06/10
DWG NO 8-04PMMS-SH7002	CHECKED BY Tom-Gu	DATE 2014/06/10
CUSTOMER ALTW	APPROVED BY Jerry	DATE 2014/06/10

A B C D E F 1 2 3 4 5 6 7 8