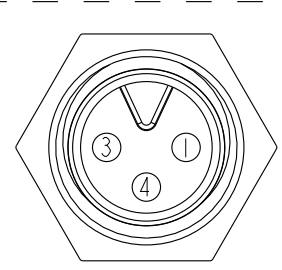
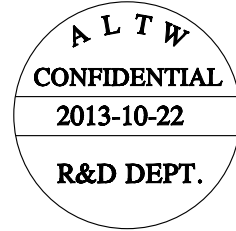
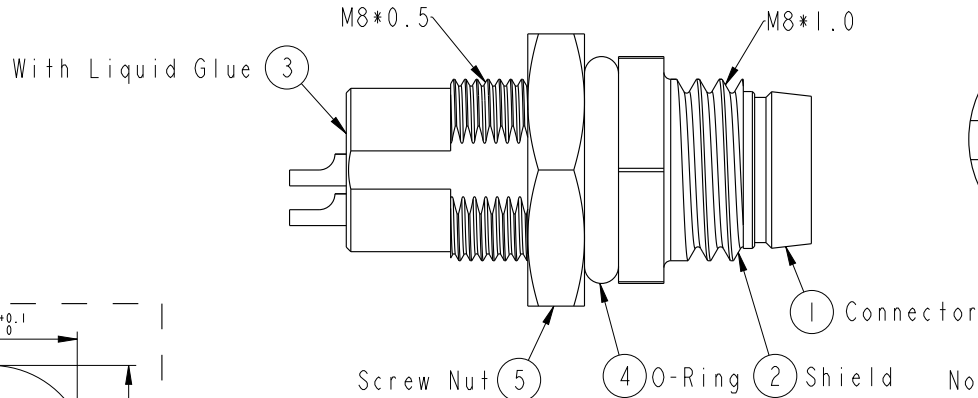
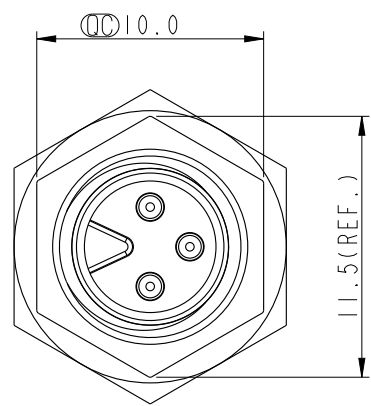
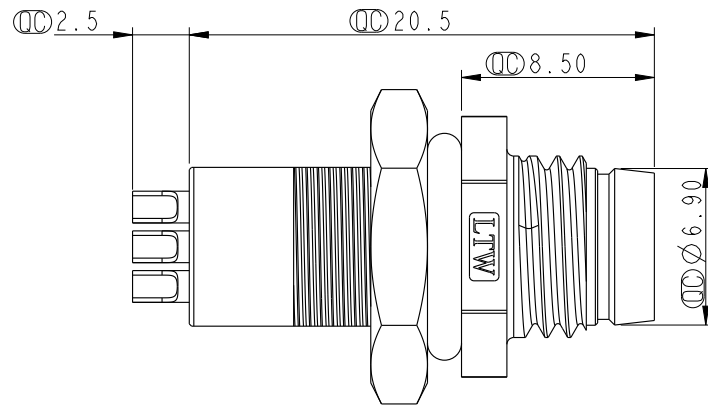
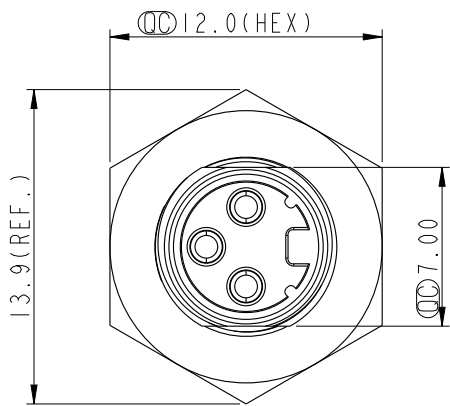
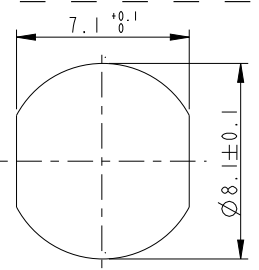


THIS DOCUMENT IS SUBJECT TO CHANGE WITHOUT NOTICE. IT IS CONFIDENTIAL AND A PROPERTY OF AMPHENOL LTW. DISCLOSURE TO THIRD PARTY HAS TO BE AUTHORIZED BY AMPHENOL LTW.

REV.	ECN NO.	DATE	SIGN	DESCRIPTION



Pin Assignment
Front View

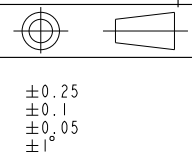


Recommended
Panel Cut-Out

- Note:
- * \varnothing Important Dimension.
 - * Waterproof Rate: IP67.
 - * Housing: Nylon+GF, Black.
 - * Male Pin: Copper Alloy, Gold Plated.
 - * Shield: Zinc Alloy, Nickel Plated.
 - * Screw Nut: Copper Alloy, Nickel Plated.
 - * O-Ring: EPDM, Black.
 - * For Panel Thickness Max 3.5mm.
 - * Nut Torque: 4-6 kgf.cm.

UNIT:mm

TOLERANCE	
.X	±0.25
.XX	±0.1
.XXX	±0.05
ANGLES	±1°



TITLE M8 3Pin Panel M Conn. M Pin			
SCALE 3:1	SIZE A4	SHEET 1 OF 1	
REV. A	WC-REV. A.1	\varnothing : Inspection item	

Amphenol LTW
安費諾亮泰企業股份有限公司

ITEM NO. 8A-03PMMS-SH7001	DWG NO. 8A-03PMMS-SH7001	CUSTOMER ALTW
------------------------------	-----------------------------	------------------

DRAWN BY Tony_leng	CHECKED BY Jimmy	APPROVED BY Jerry
-----------------------	---------------------	----------------------

DATE 2013-10-22	DATE 2013-10-22	DATE 2013-10-22
--------------------	--------------------	--------------------