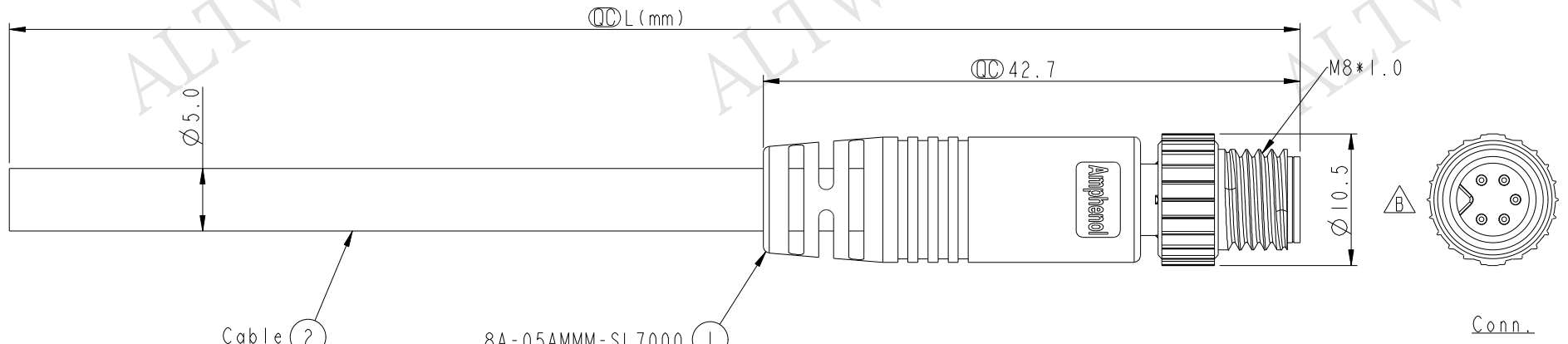
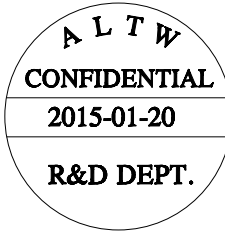


REV.	ECN NO.	DATE	SIGN	DESCRIPTION
B	LEN1510566	2015-01-20	Feng_Li	Change the key point's Direction

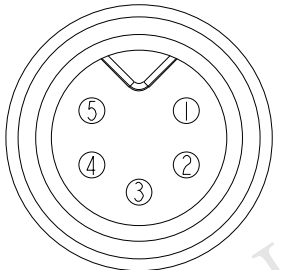


Cable ②
 8A-05AMMM-SL7000 ①
 Color: Black



8A-05AMMM-SL7AXX
 XX: 01~99Meters
 01: 01Meter
 02: 02Meter
 ...
 99: 99Meters
 Cable Length(L): 01~99Meters

- Note:
- * Ⓞ Important Dimension.
 - * Waterproof Rate: IP67.
 - * Connector: PU, Black.
 - * Male Pin: Copper Alloy, Gold Plated.
 - * Screw Nut: Zinc Alloy, Nickel Plated.
 - * Cable: UL2464 24AWG*5C+Talcum, PVC Jacket, UV Resistant, OD=5.0, Black.
 - * Cable Length Tolerance: 01M: ±40mm
 02~05M: ±60mm
 06~10M: ±100mm
 11~30M: ±200mm
 31~99M: ±500mm



Pin Assignments
Front View

5	Yellow 黃
4	Orange 橘
3	Red 紅
2	Brown 棕
1	Black 黑
Conn.	Wire Color
	Pin Out

UNIT:mm			TITLE M8 5Pin Cable M Conn. M Pin
TOLERANCE ±0.5 mm	SCALE 2:1	SIZE A4	SHEET 1 OF 1
	REV. B	WC-REV. A.5	Ⓞ: Inspection item

Amphenol LTW
 安費諾亮泰企業股份有限公司

ITEM NO	DRAWN BY Feng_Li	DATE 2015-01-20
DWG NO 8A-05AMMM-SL7AXX	CHECKED BY Cary	DATE 2015-01-20
CUSTOMER ALTW	APPROVED BY Jerry	DATE 2015-01-20

THIS DOCUMENT IS SUBJECT TO CHANGE WITHOUT NOTICE. IT IS CONFIDENTIAL AND A PROPERTY OF Amphenol LTW. DISCLOSURE TO THIRD PARTY HAS TO BE AUTHORIZED BY Amphenol LTW.