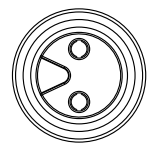
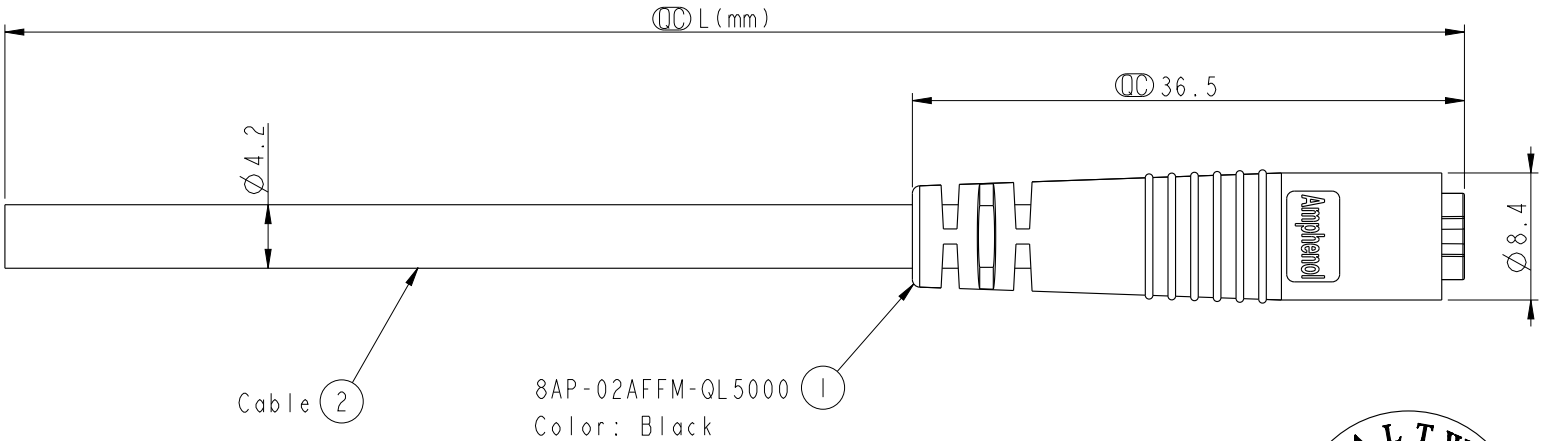
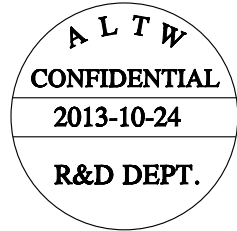


THIS DOCUMENT IS SUBJECT TO CHANGE WITHOUT NOTICE. IT IS CONFIDENTIAL AND A PROPERTY OF Amphenol LTW. DISCLOSURE TO THIRD PARTY HAS TO BE AUTHORIZED BY Amphenol LTW.

REV.	ECN NO.	DATE	SIGN	DESCRIPTION

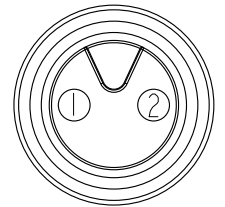


Conn.



8AP-02AFFM-QL5AXX
 XX: 01~99Meters
 01: 01Meter
 02: 02Meter
 ...
 99: 99Meters
 Cable Length(L): 01~99Meters

- Note:
- * (C) Important Dimension.
 - * Waterproof Rate: IP65.
 - * Connector: PU, Black.
 - * Female Pin: Copper Alloy, Gold Plated.
 - * Cable: UL2464 22AWG*2C+Talcum, PVC Jacket, UV Resistant, OD=4.2, Black.
 - * Cable Length Tolerance:
 - 01M: ±40mm
 - 02~05M: ±60mm
 - 06~10M: ±100mm
 - 11~30M: ±200mm
 - 31~99M: ±500mm



Pin Assignments Front View

2	Red 紅
1	Black 黑
Conn.	Wire Color
Pin Out	

UNIT:mm		TITLE	M8 2Pin Cable F Conn. F Pin		
TOLERANCE ±0.5 mm		SCALE	2:1	SIZE	A4
REV.	A	WC-REV.	A.2	SHEET	1 OF 1
		☉: Inspection item			

Amphenol LTW
 安費諾亮泰企業股份有限公司

ITEM NO	DRAWN BY	DATE
DWG NO	CHECKED BY	DATE
CUSTOMER	APPROVED BY	DATE
	Tony_leng	2013-10-24
8AP-02AFFM-QL5AXX	Jimmy	2013-10-24
ALTW	Jerry	2013-10-24