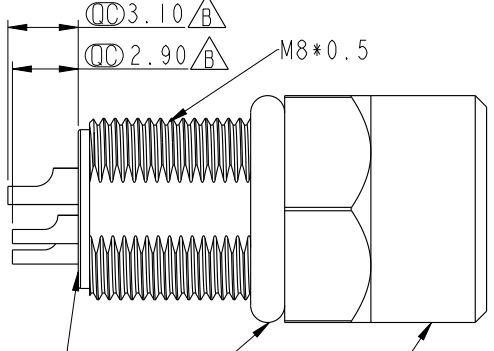
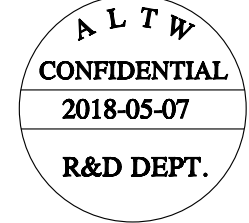
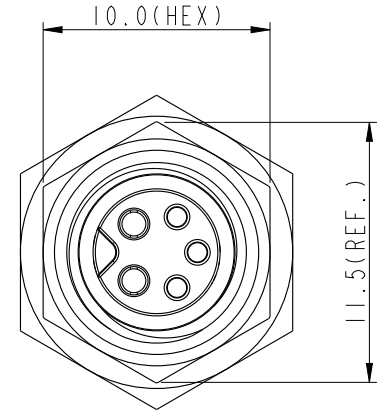
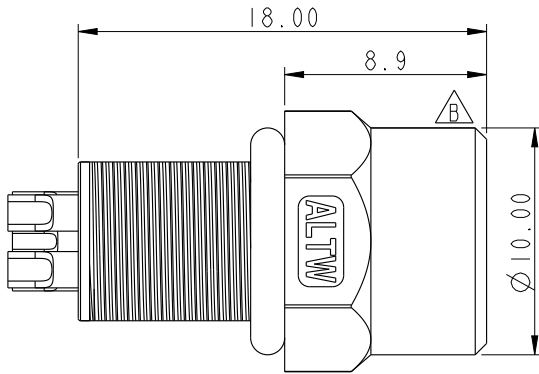
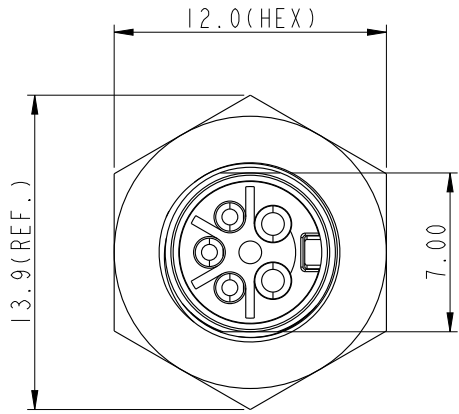


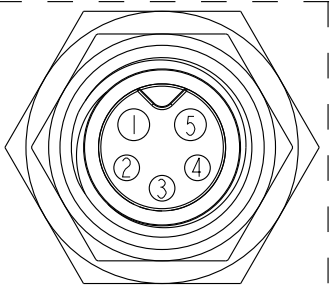
REV.	ECN NO.	DATE	SIGN	DESCRIPTION
B	LE31850076	2018/05/07	Ethan	Update Drawing



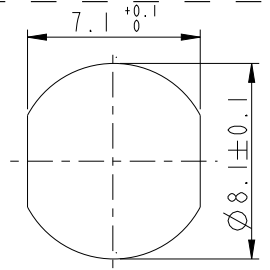
- ① Connector
- ② Shield
- ③ With Liquid Glue
- ④ O-Ring1
- ⑤ O-Ring2
- ⑥ Screw Nut

Note:

- * \varnothing Important Dimension.
- * Waterproof Rate: IP67.
- * Housing: Nylon+GF, Black.
- * Female Pin: Copper Alloy, Gold Plated.
- * Shield: Zinc Alloy, Nickel Plated.
- * Screw Nut: Copper Alloy, Nickel Plated.
- * O-Ring1: Viton, Green.
- * O-Ring2: EPDM, Black.
- * For Panel Thickness Max 4.5mm.
- * Nut Torque: 4~6 kgf.cm.
- * Nut Packing: 單獨包裝.



Pin Assignment Front View



Recommended Panel Cut-Out

UNIT:mm		TITLE		ITEM NO		DRAWN BY		DATE	
		M8 5Pin Panel F Conn. F Pin		8H-05PFFS-SH7001		Ethan		2018-05-07	
TOLERANCE		SCALE	SIZE	SHEET	OF	DWG NO	CHECKED BY	DATE	
.X ±0.25		3:1	A4	1	1	8H-05PFFS-SH7001	Feng_Li	2018-05-07	
.XX ±0.1		REV.	WC-REV.	QC: Inspection item		CUSTOMER	APPROVED BY	DATE	
.XXX ±0.05		B	A.2			ALTW	Jerry	2018-05-07	
ANGLES ±1°									

Amphenol LTW
安費諾亮泰企業股份有限公司

THIS DOCUMENT IS SUBJECT TO CHANGE WITHOUT NOTICE. IT IS CONFIDENTIAL AND A PROPERTY OF AMPHENOL LTW. DISCLOSURE TO THIRD PARTY HAS TO BE AUTHORIZED BY AMPHENOL LTW.