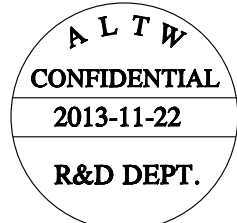
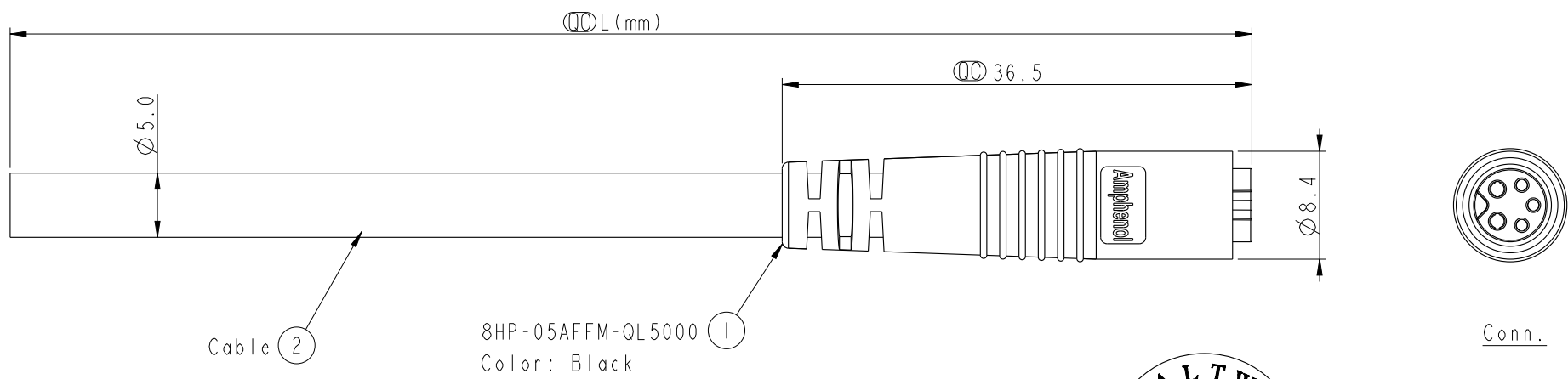


THIS DOCUMENT IS SUBJECT TO CHANGE WITHOUT NOTICE. IT IS CONFIDENTIAL AND A PROPERTY OF Amphenol LTW. DISCLOSURE TO THIRD PARTY HAS TO BE AUTHORIZED BY Amphenol LTW.

REV.	ECN NO.	DATE	SIGN	DESCRIPTION

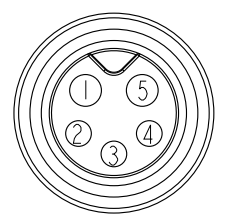


8HP-05AFFM-QL5AXX

XX: 01~99Meters  
 01: 01Meter  
 02: 02Meter  
 ...  
 99: 99Meters

Cable Length(L): 01~99Meters

- Note:
- \* ① Important Dimension.
  - \* Waterproof Rate: IP65.
  - \* Connector: PU, Black.
  - \* Female Pin: Copper Alloy, Gold Plated.
  - \* Cable: UL2464 24AWG\*5C+Talcum, PVC Jacket, UV Resistant, OD=5.0, Black.
  - \* Cable Length Tolerance: 01M: ±40mm  
 02~05M: ±60mm  
 06~10M: ±100mm  
 11~30M: ±200mm  
 31~99M: ±500mm



Pin Assignments  
Front View

Pin	Wire Color
5	Yellow 黃
4	Orange 橘
3	Red 紅
2	Brown 棕
1	Black 黑
Conn.	Wire Color

Pin Out

UNIT:mm

TOLERANCE  
±0.5 mm

TITLE M8 5Pin Cable F Conn. F Pin			
SCALE 2:1	SIZE A4	SHEET 1 OF 1	
REV. A	WC-REV. A.1	①: Inspection item	

**Amphenol LTW**  
安費諾亮泰企業股份有限公司

ITEM NO	DRAWN BY Mila	DATE 2013-11-22
DWG NO 8HP-05AFFM-QL5AXX	CHECKED BY Jimmy	DATE 2013-11-22
CUSTOMER ALTW	APPROVED BY Jerry	DATE 2013-11-22